



MiG-23ML Flogger-G

1:32 SCALE

米格-23ML “鞭挞者-G” 战斗机

READ BEFORE ASSEMBLY:

- Study and understand these instructions thoroughly before beginning assembly
- When needed, remove photo-etch parts carefully using a modeling knife or photo etch sprue cutter, being careful not to damage or lose small parts.
- Take extra care in handling photo etch parts in order to avoid injury
- Apply instant cement sparingly to photo etch parts where instructed

- Tools recommended(not included in kit):Plastic and instant cements,sprue cutters,long nose pliers,modeling knife, small files, tweezers, pin vise & scissors. Soft cloth and sandpaper will also assist in construction
- Glue and paint are not included in the kit. Use plastic cement and hobby paints only. Color guide for purchasing paint is included in the kit.

装配之前仔细阅读

- 小心用模型锉刀锉平所有零件表面的注射浇口。
- 小心用刀片切下蚀刻片零件，不要遗失小零件。
- 用强力快干胶水粘合蚀刻片零件和金属轴。过量快干胶水使用可能导致可动零件会粘住，小心涂胶。
- 取蚀刻片时应特别注意安全，防止利边划伤手指。
- 某些零件表面需贴上水贴纸，请选择在装配的同时进行。
- 推荐模型工具(自备)：胶水，水口剪刀，长咀钳，刀片，锉刀，镊子，钳，钻，剪刀，瞬间快干胶。
- 软布同砂纸同时也应该是必备工具。
- 请使用塑料胶水和油漆，模型内不含。

水贴纸的使用:

1. 从水贴纸上剪下印花;
2. 将印花放入温水中浸10秒, 然后放在干净布上.
3. 拿着印花纸板将印花移到模型上;
4. 手指蘸水将印花移到适当的位置;
5. 用软布轻压印花直至水干, 气泡消失.

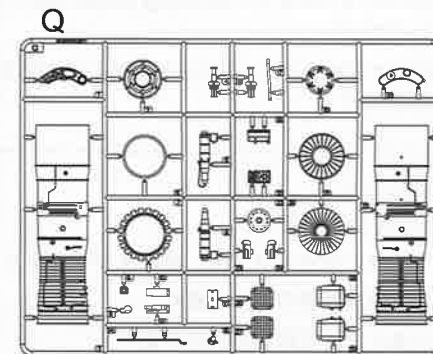
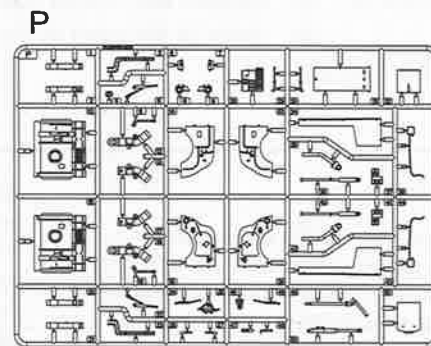
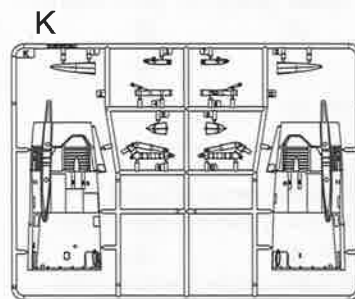
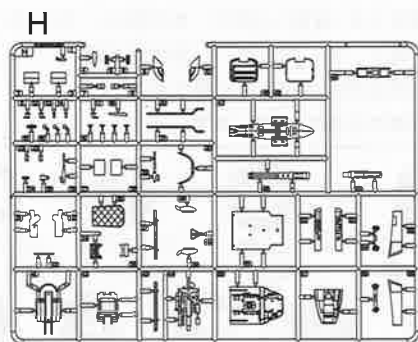
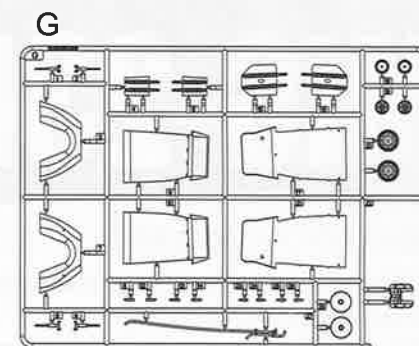
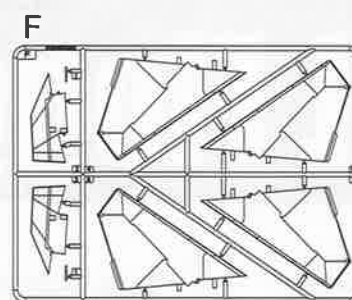
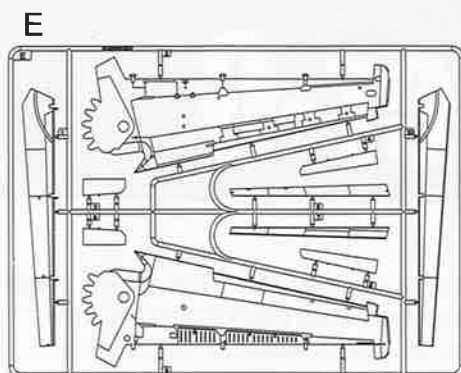
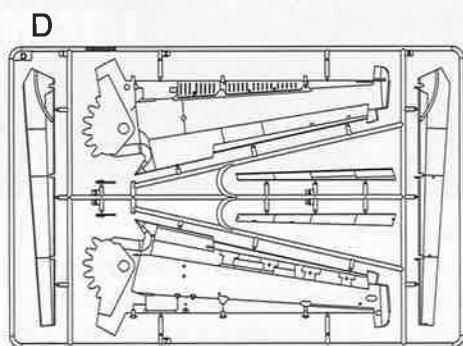
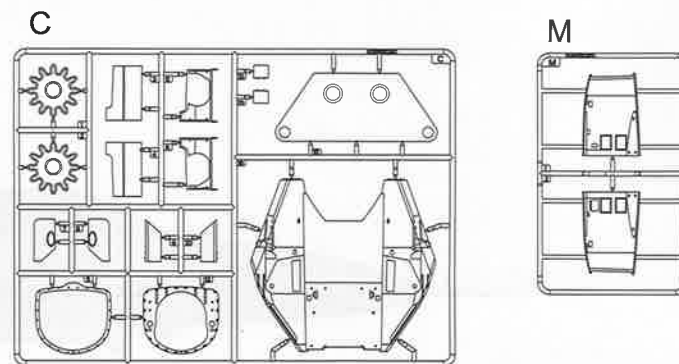
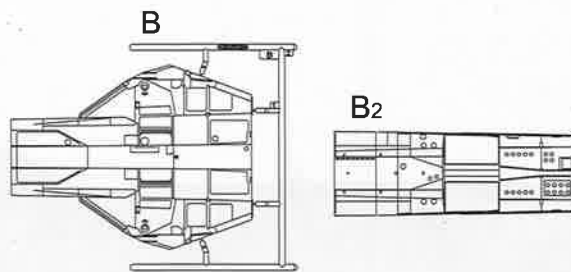
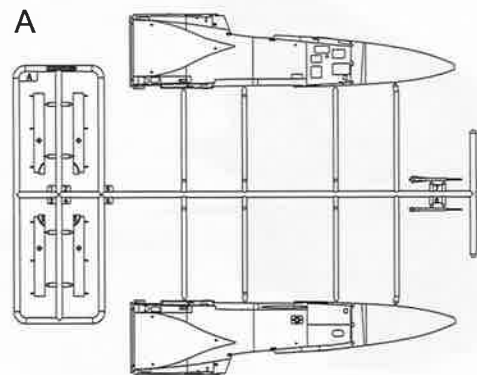
DECAL APPLICATION:

1. Cut decals from sheet as needed
2. Dip the decal in warm water for about 10 seconds and then place on soft clean cloth.
3. Hold the decal backing sheet edge and gently slide the decal onto the model in its proper position.

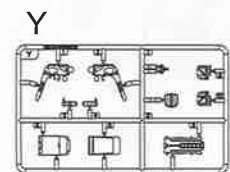
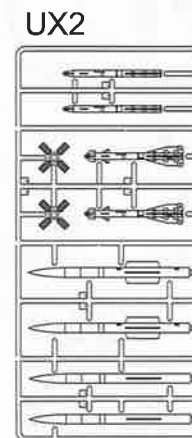
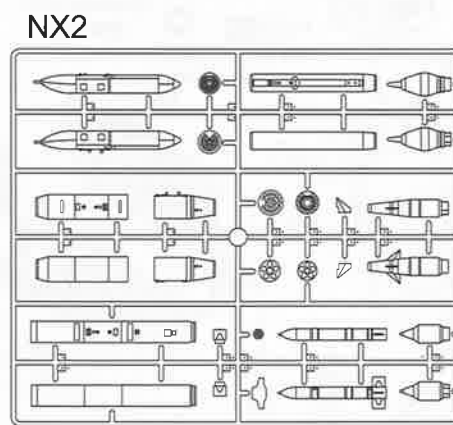
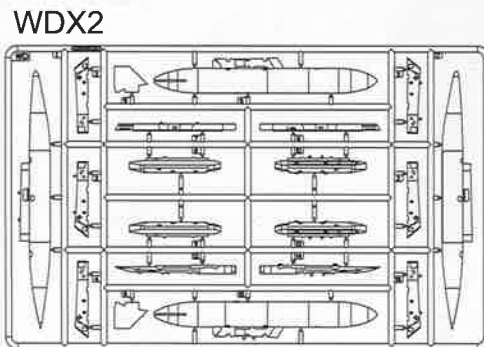
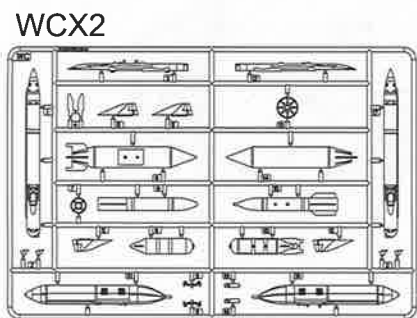
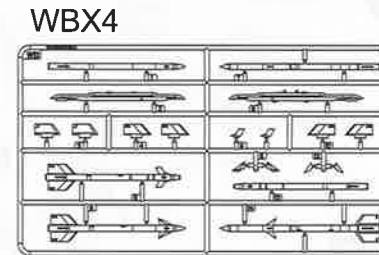
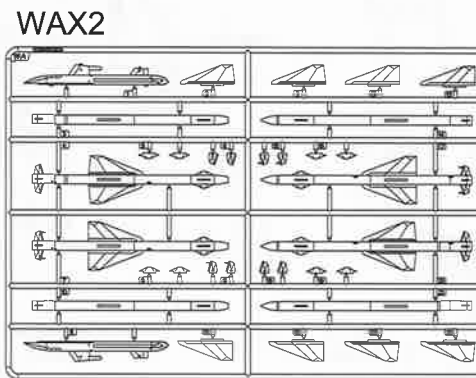
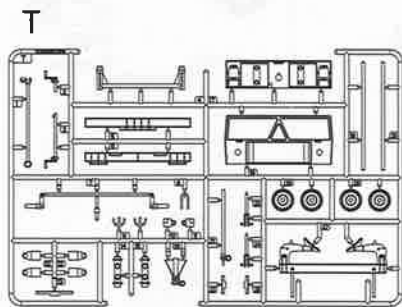
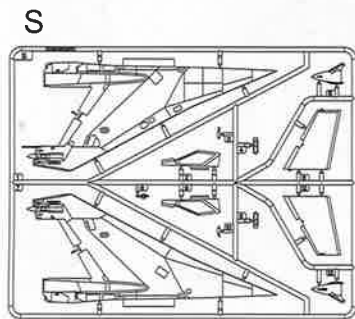
4. While still wet,decal can be adjusted for better fit on model by dampening it gently with your finger.
5. When placed in the proper position,gently press decal down with a soft cloth until excess water and air bubbles are gone.
6. Allow decal to dry completely before handling model

cyanoacrylate glue
使用强力胶weight
配重make hole
钻孔cut / remove
切除option
选择no cement
不涂胶水decal
贴纸bend
弯曲file / sand
锉平

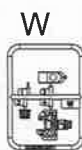
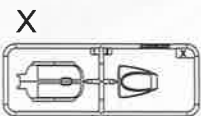
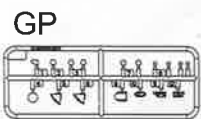
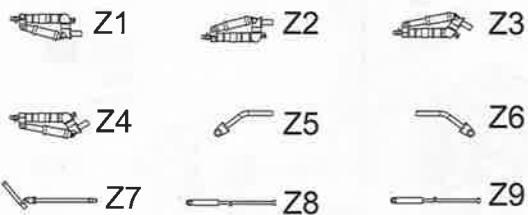
部品图 Parts



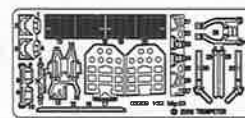
部品图 Parts



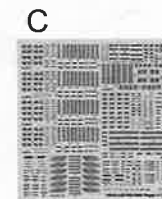
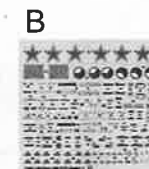
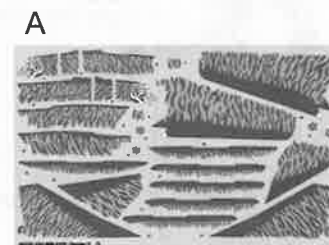
《金属部件》
Metal parts



《蚀刻片》
Photo etched parts (PE)



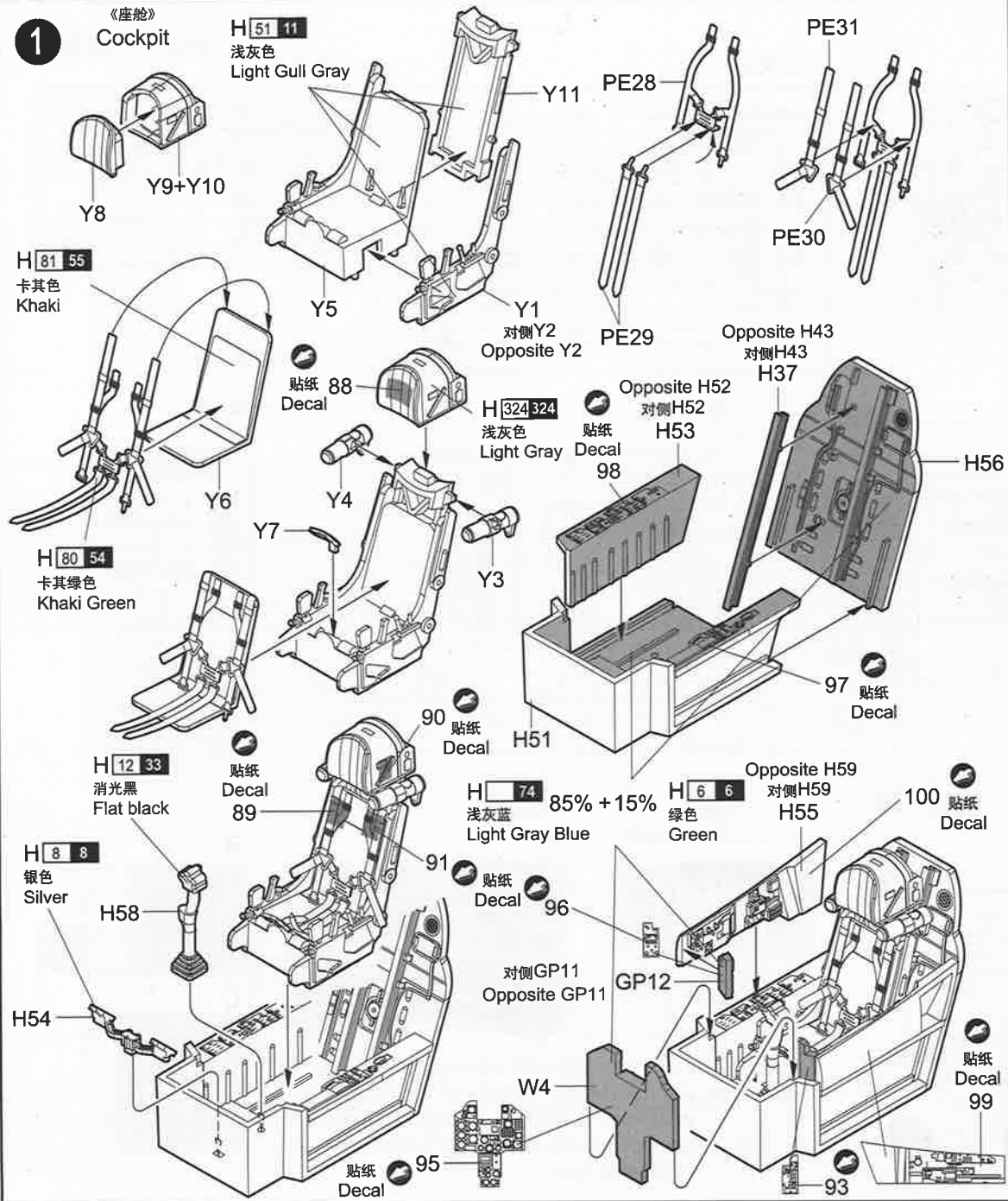
《水贴》
Decal



不用的部件: A1 A2 A7 H4 H17 H31 H32 H33 H34 H35 H36
Unused parts H38 H39 H40 H41 H42 H44 V1 V2 V4 W2 WD7
WD9 N1 N2 N9 N10 N12 N1 N14 N15 N17 N19
N20 N21 N22 N24 N27 N28 U2 U4 U5 PE6 PE10
PE12 PE14 PE27

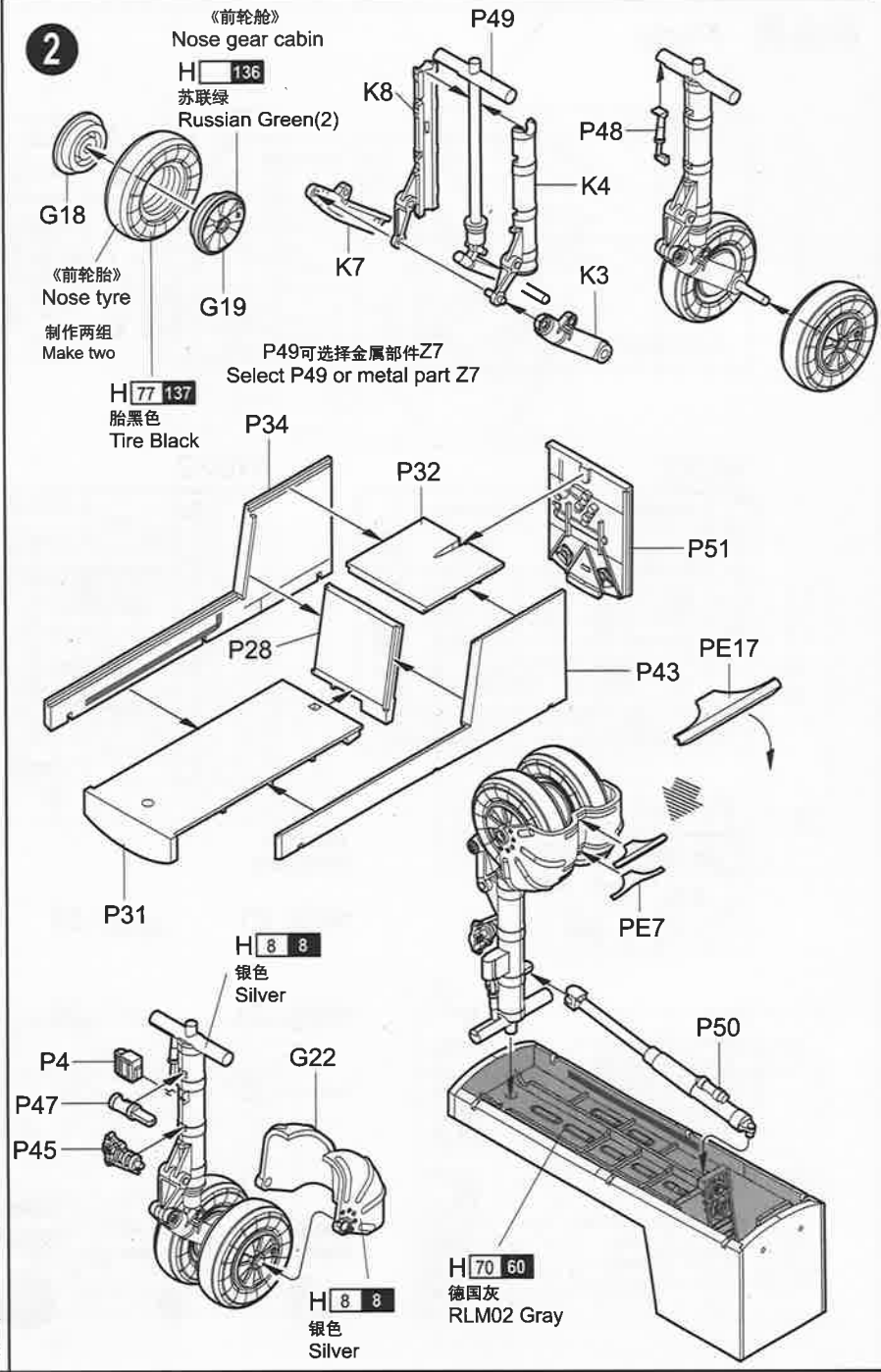
1

《座舱》
Cockpit

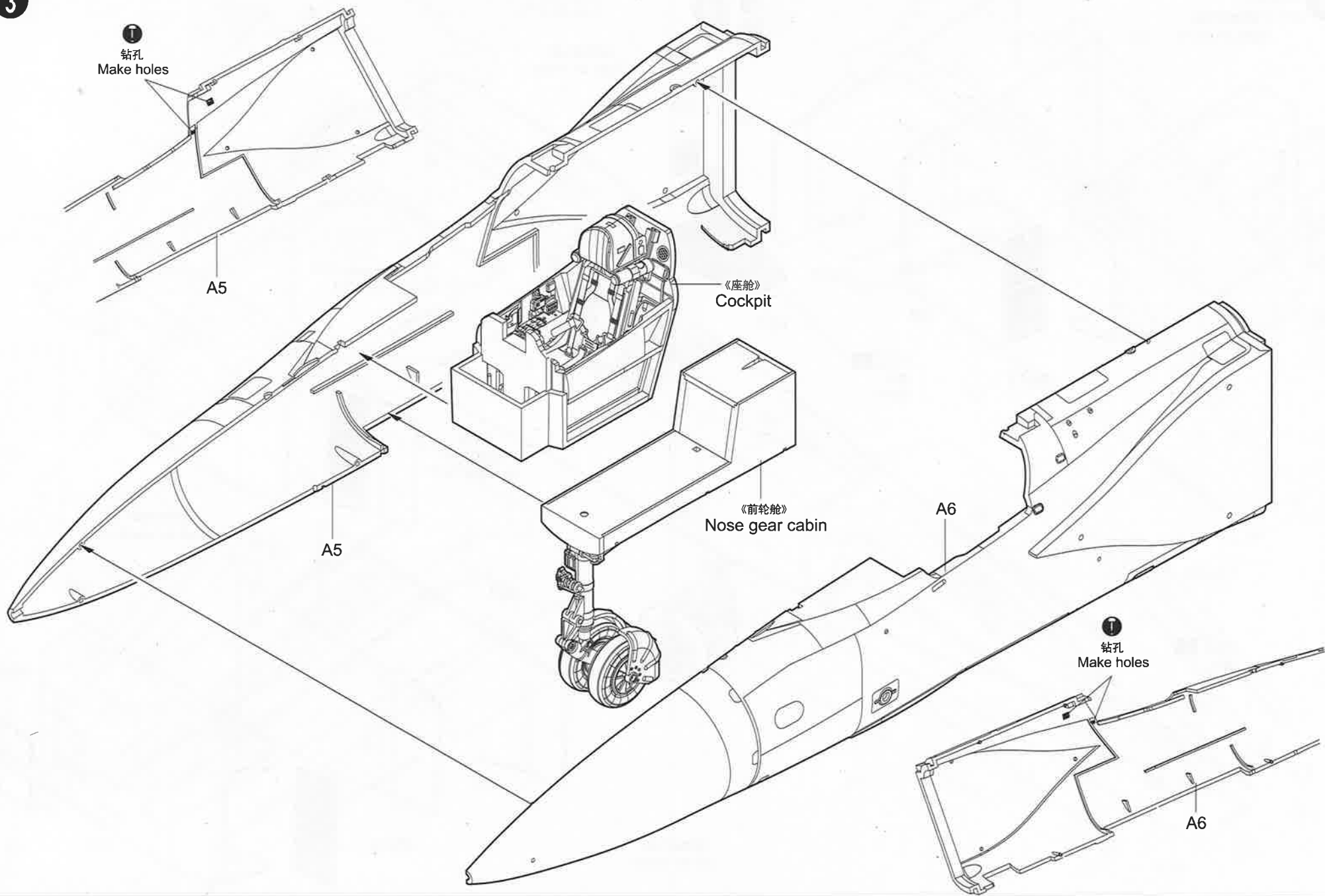


2

《前轮舱》
Nose gear cabin



3



4

《右侧进气道》
Right air intake

贴纸 94
Decal

《右侧进气道》
Right air intake

H27

GP9 W3

H2

M2

PE13

G6

G17

H57

H 2 2
黑色
Black

Opposite PE9
对侧PE9

PE8

PE5
对侧PE11
Opposite PE11

《左侧进气道》
Left air intake

H 8 8
银色
Silver

A8

G21

G10

M1

H28

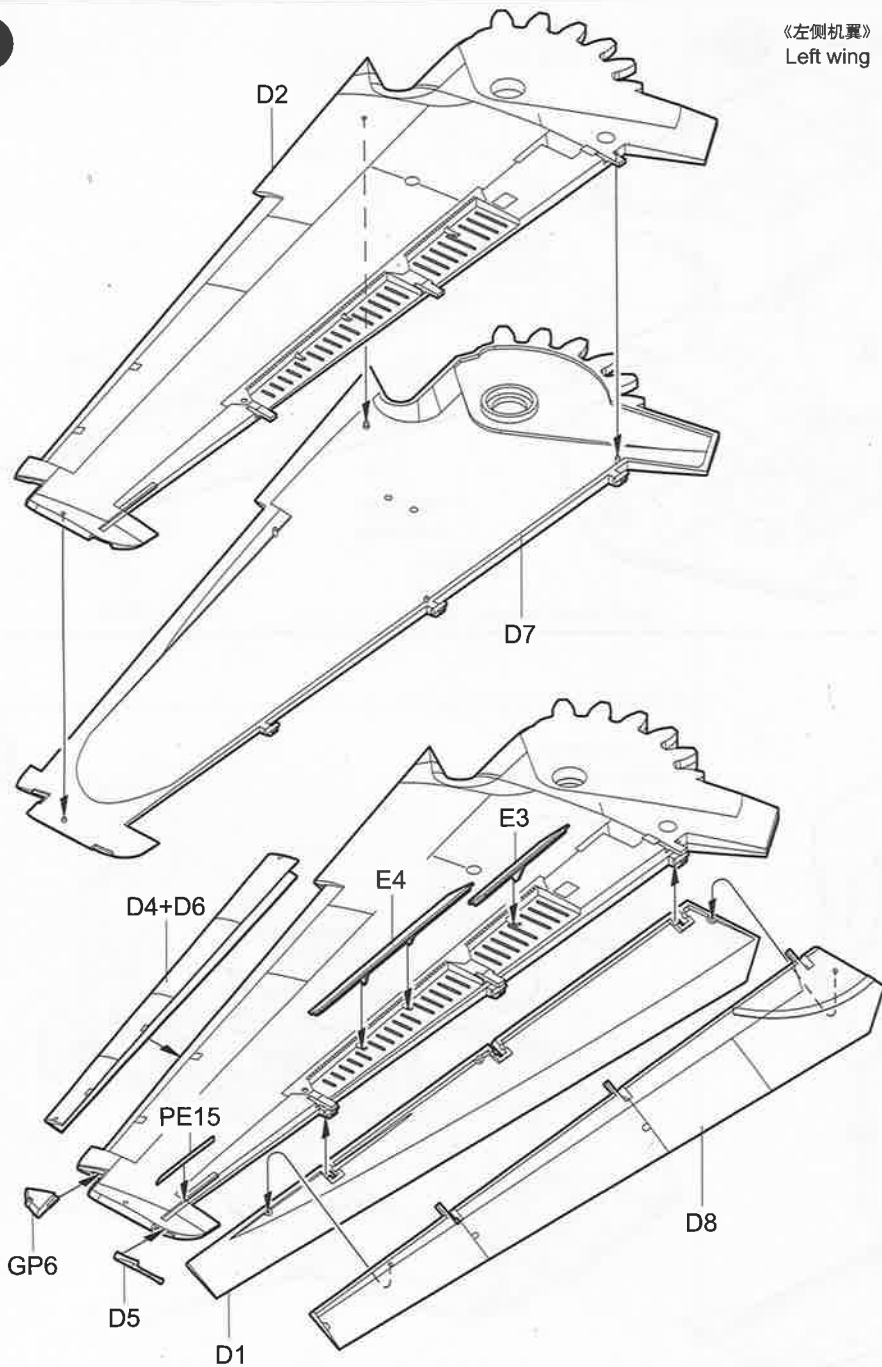
《左侧进气道》
Left air intake

PE19

H3

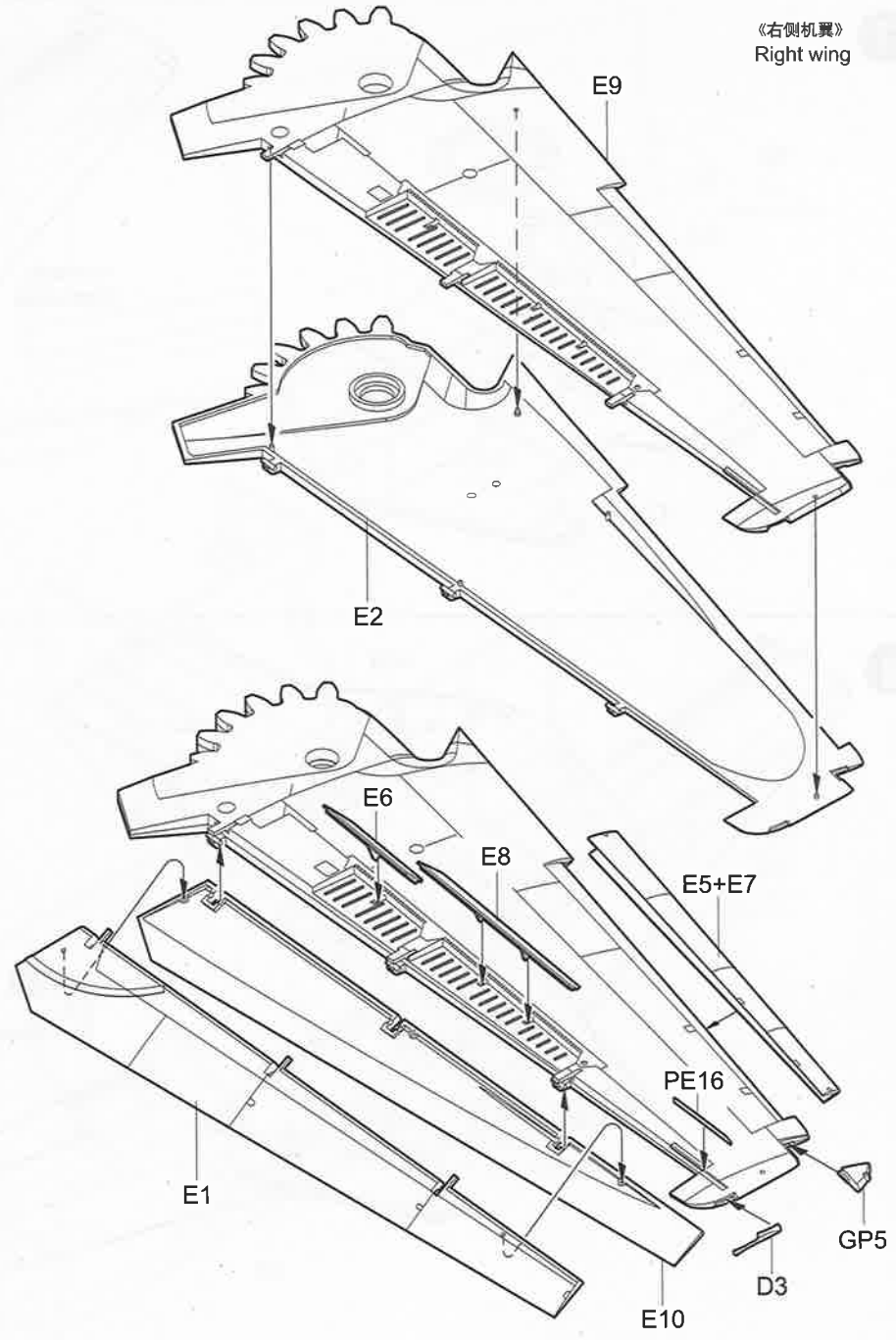
5

《左侧机翼》
Left wing

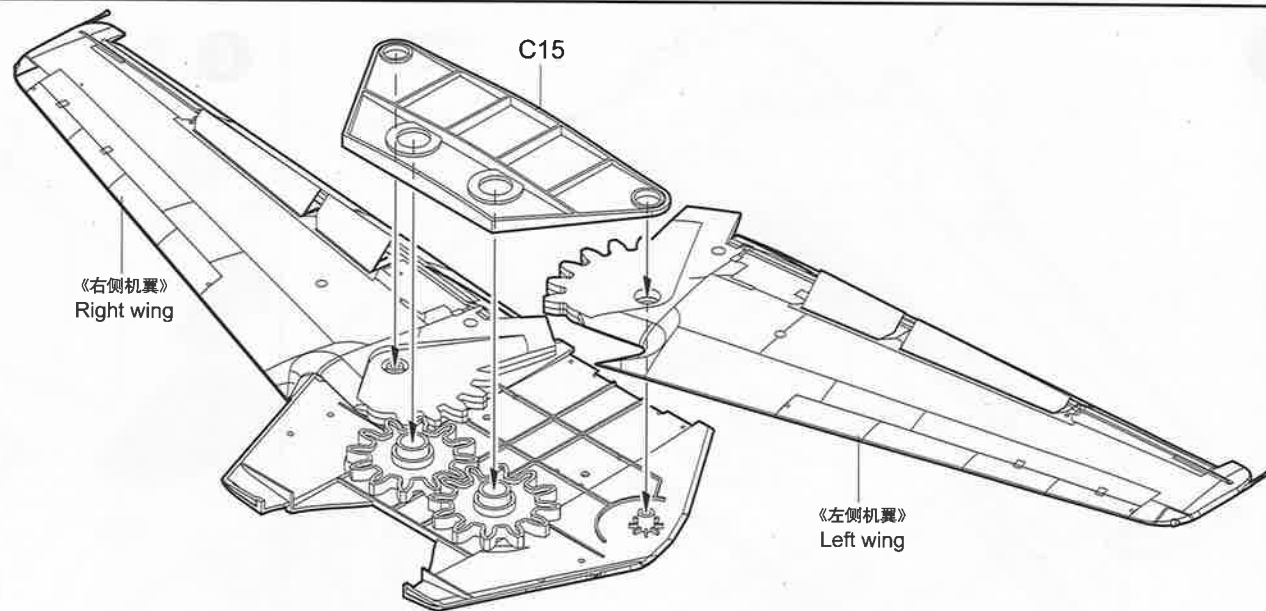
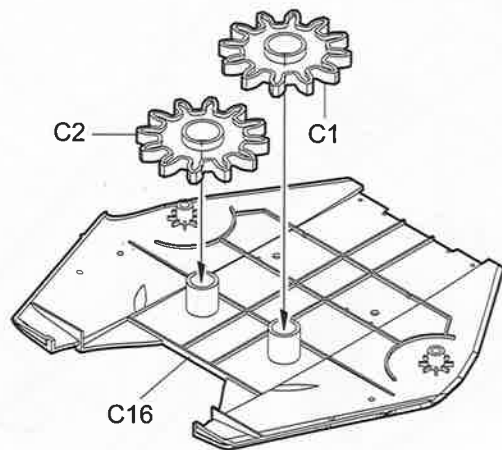


6

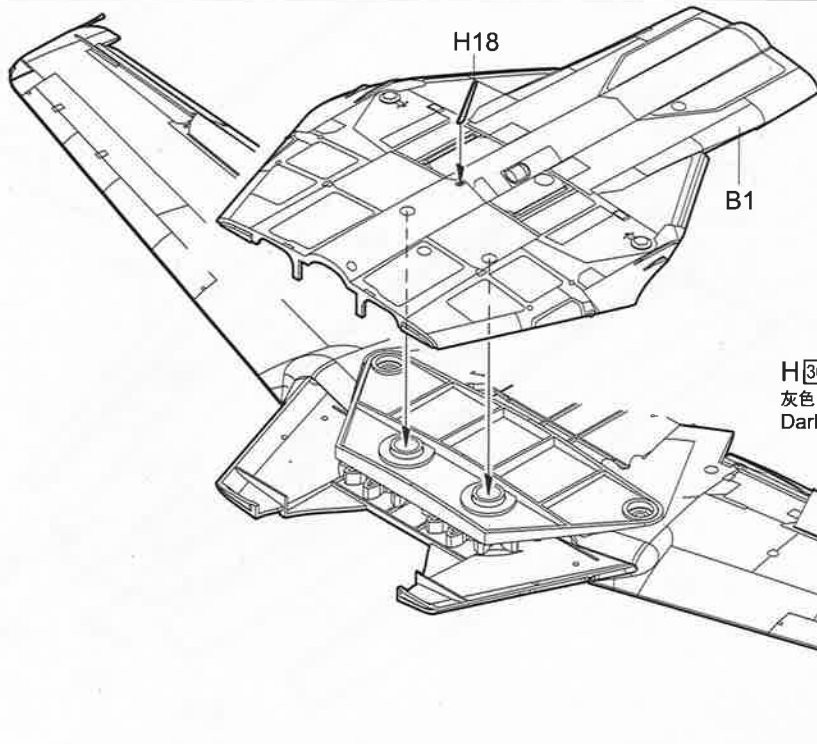
《右侧机翼》
Right wing



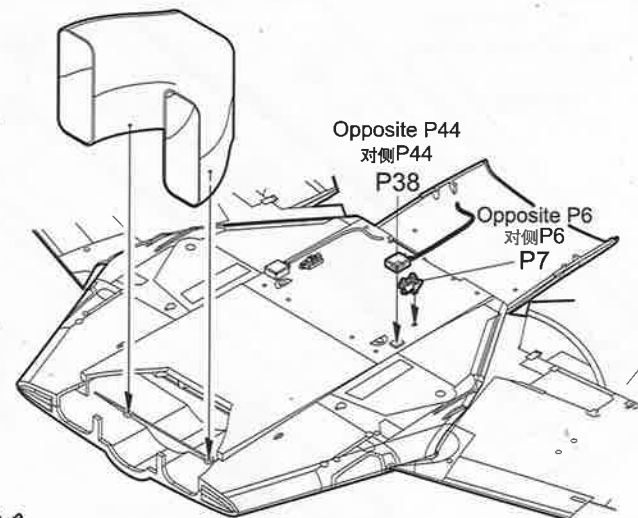
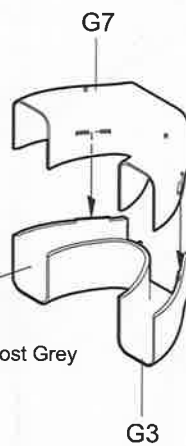
7



8



H 307 307
灰色
Dark Compass Ghost Grey

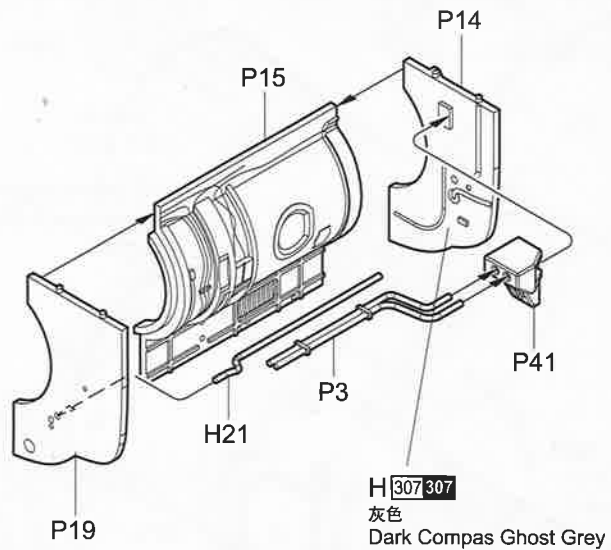


Opposite P44
对侧P44
P38

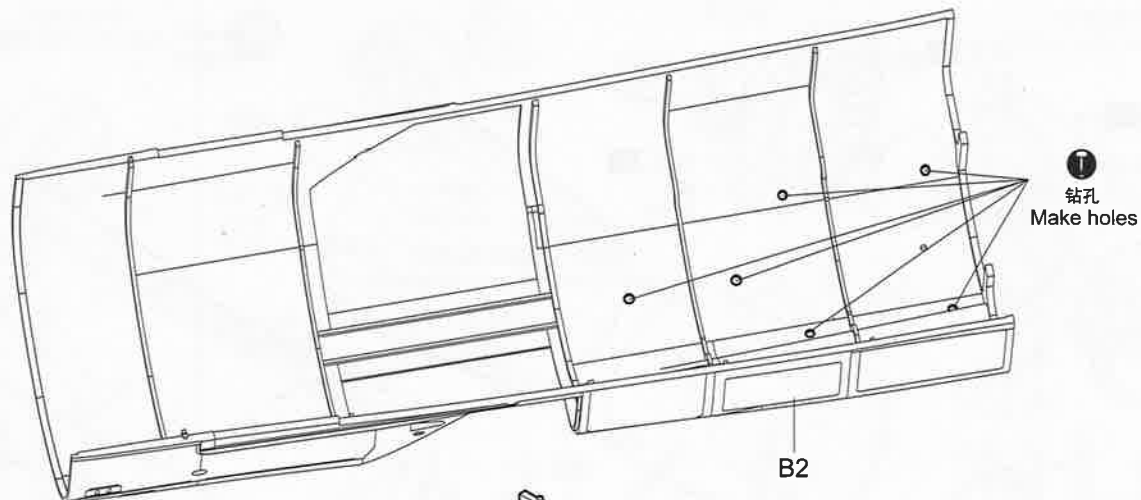
Opposite P6
对侧P6
P7

9

《左侧轮舱》
Left gear cabin

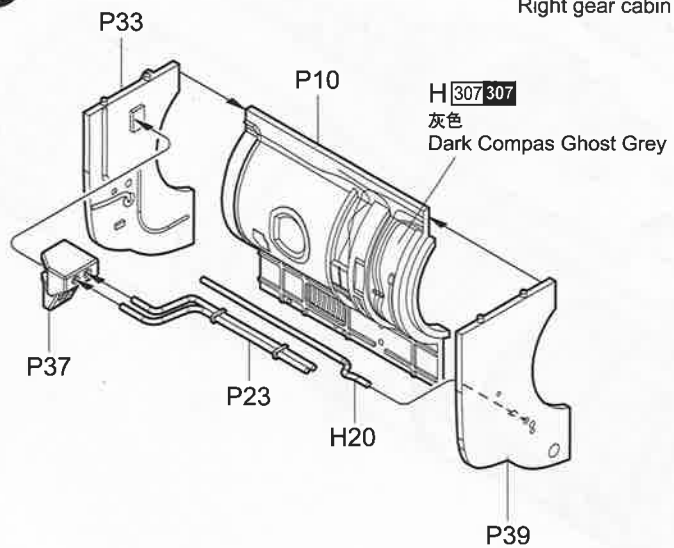


11

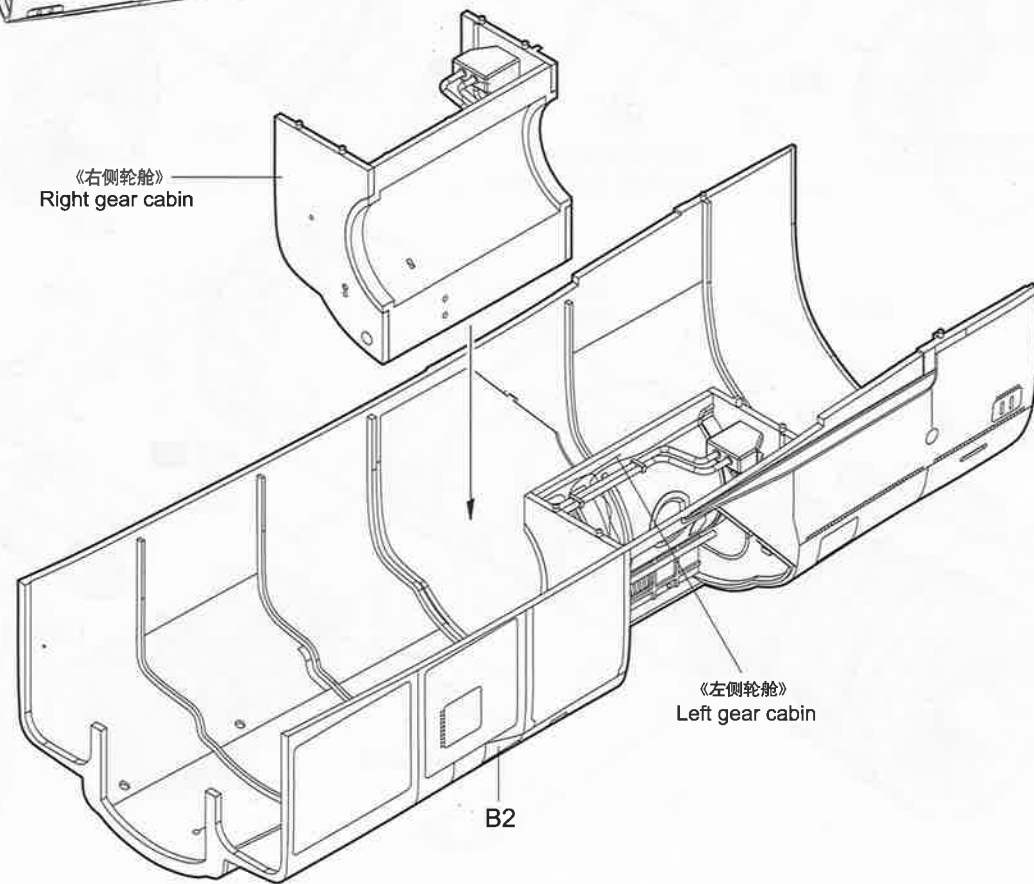


10

《右侧轮舱》
Right gear cabin

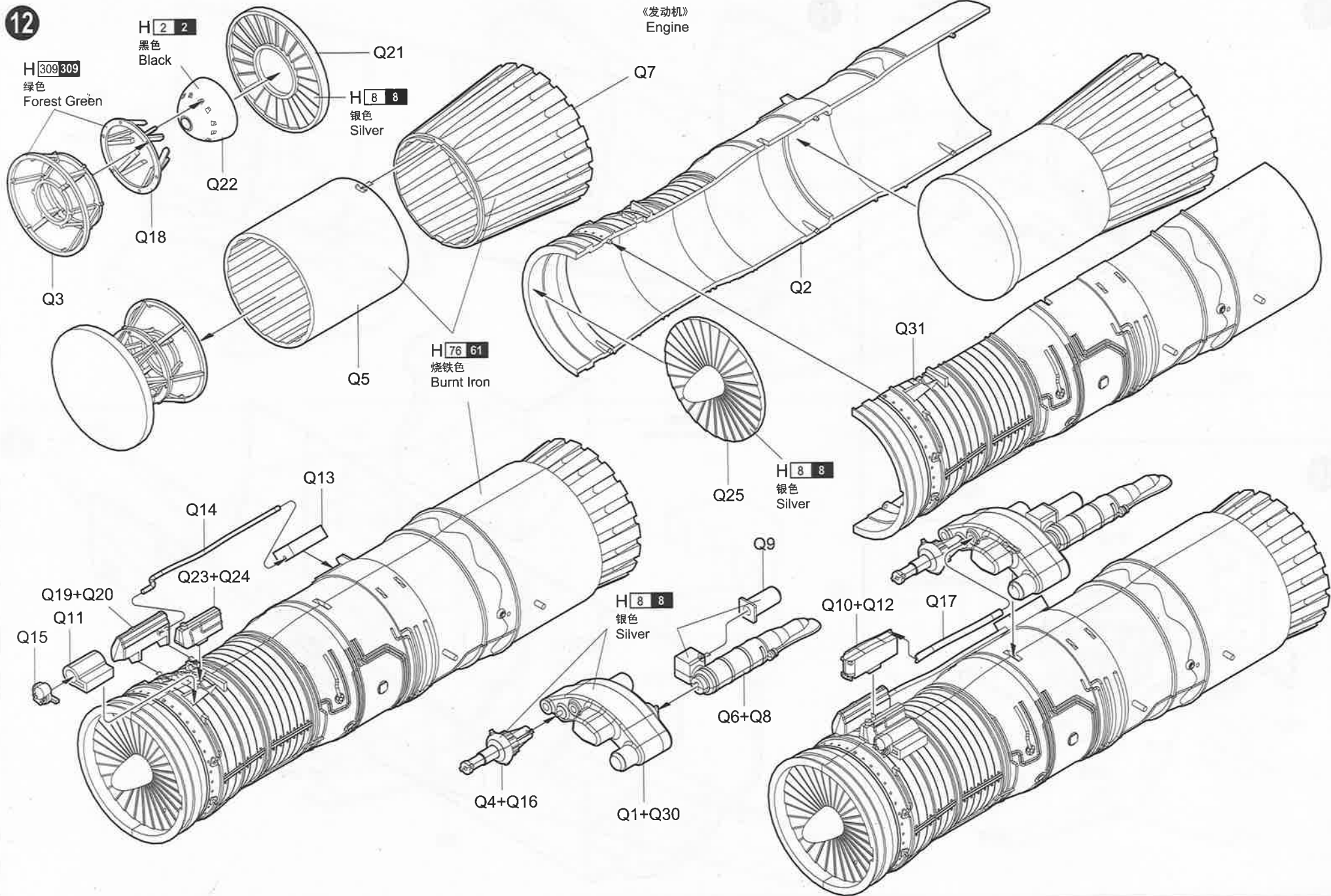


《右侧轮舱》
Right gear cabin

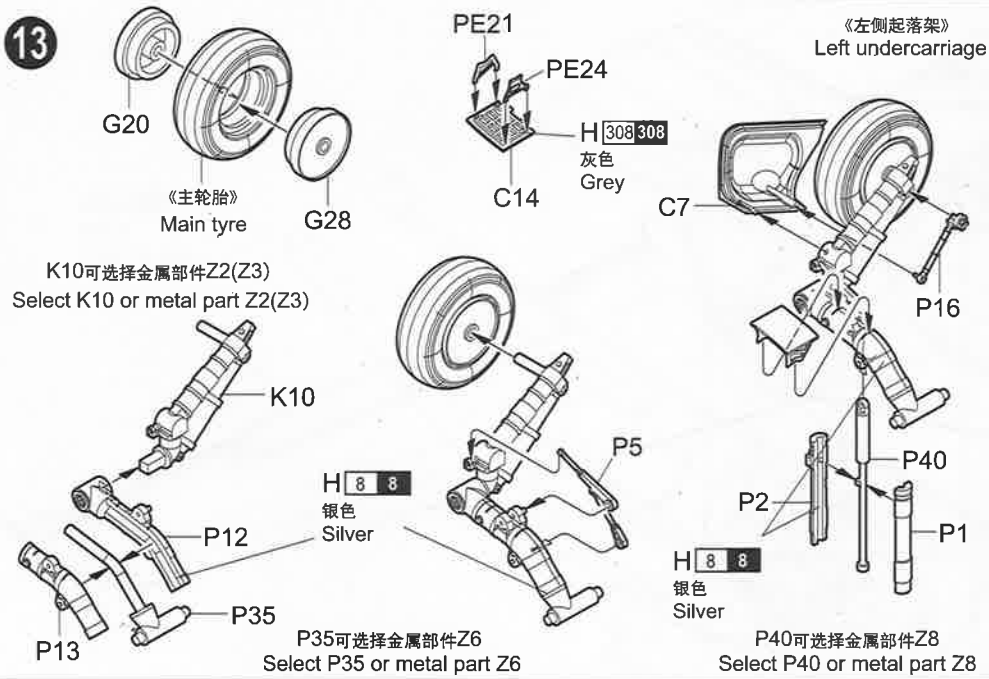


12

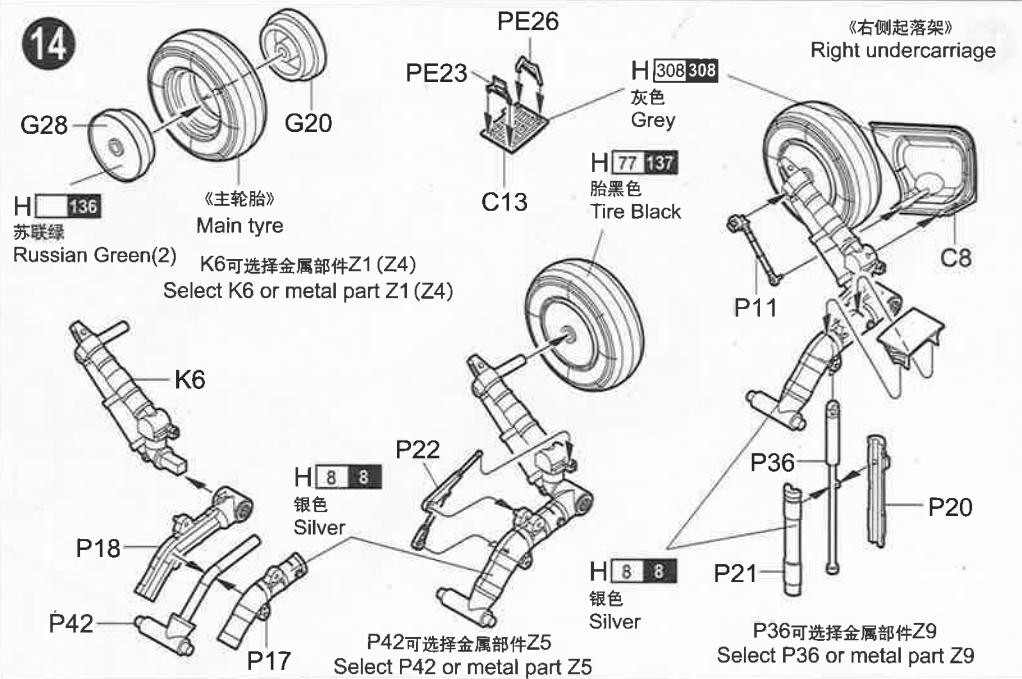
《发动机》
Engine



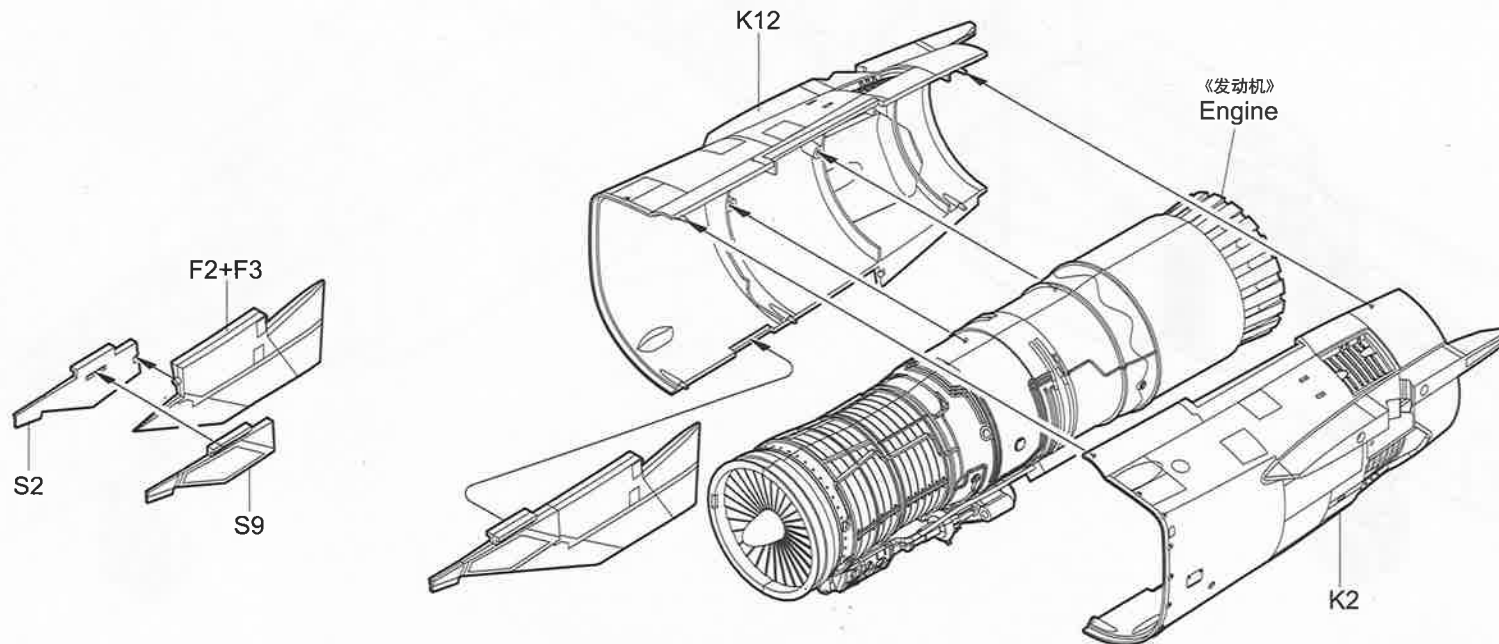
13

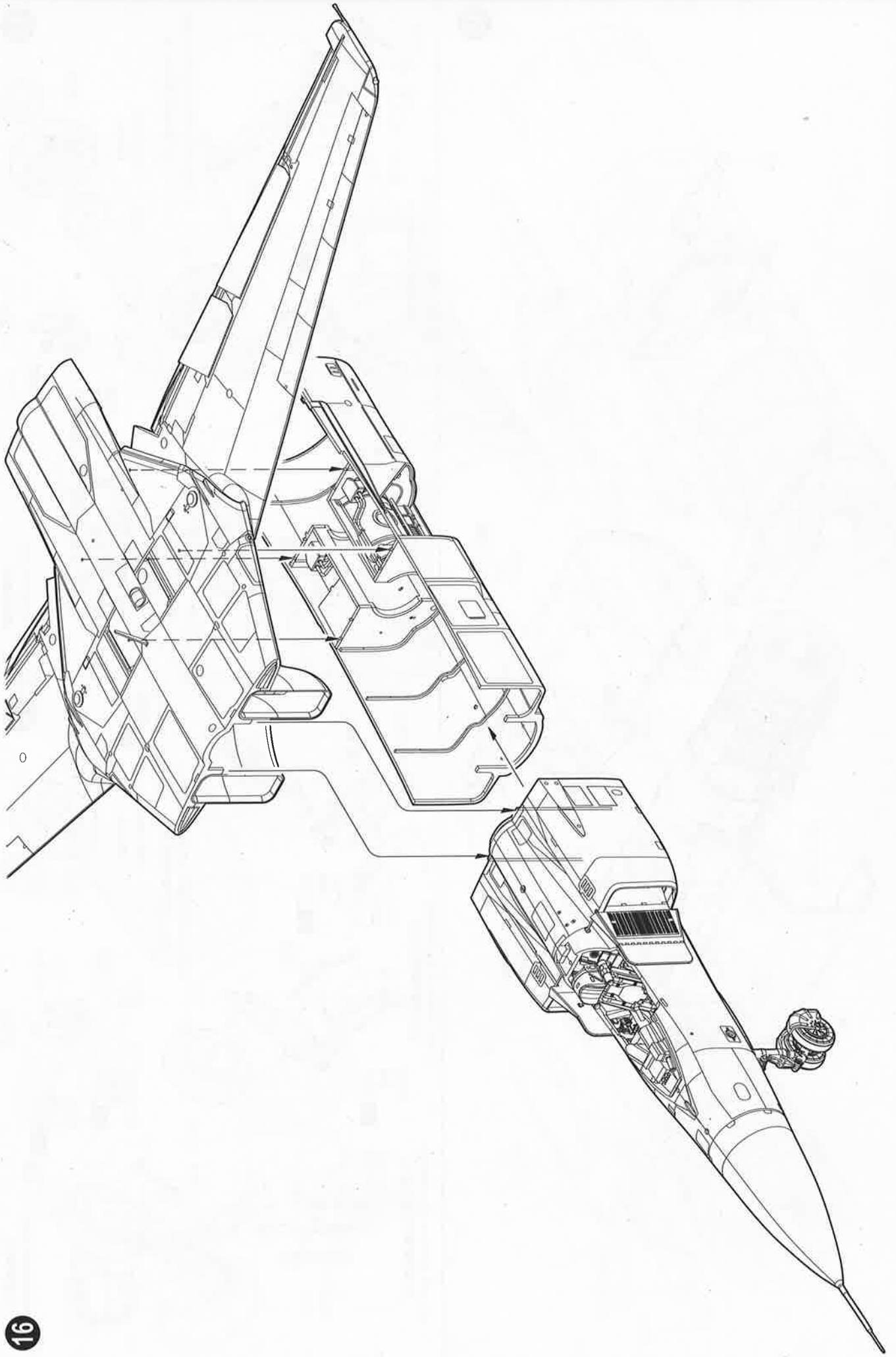


14



15



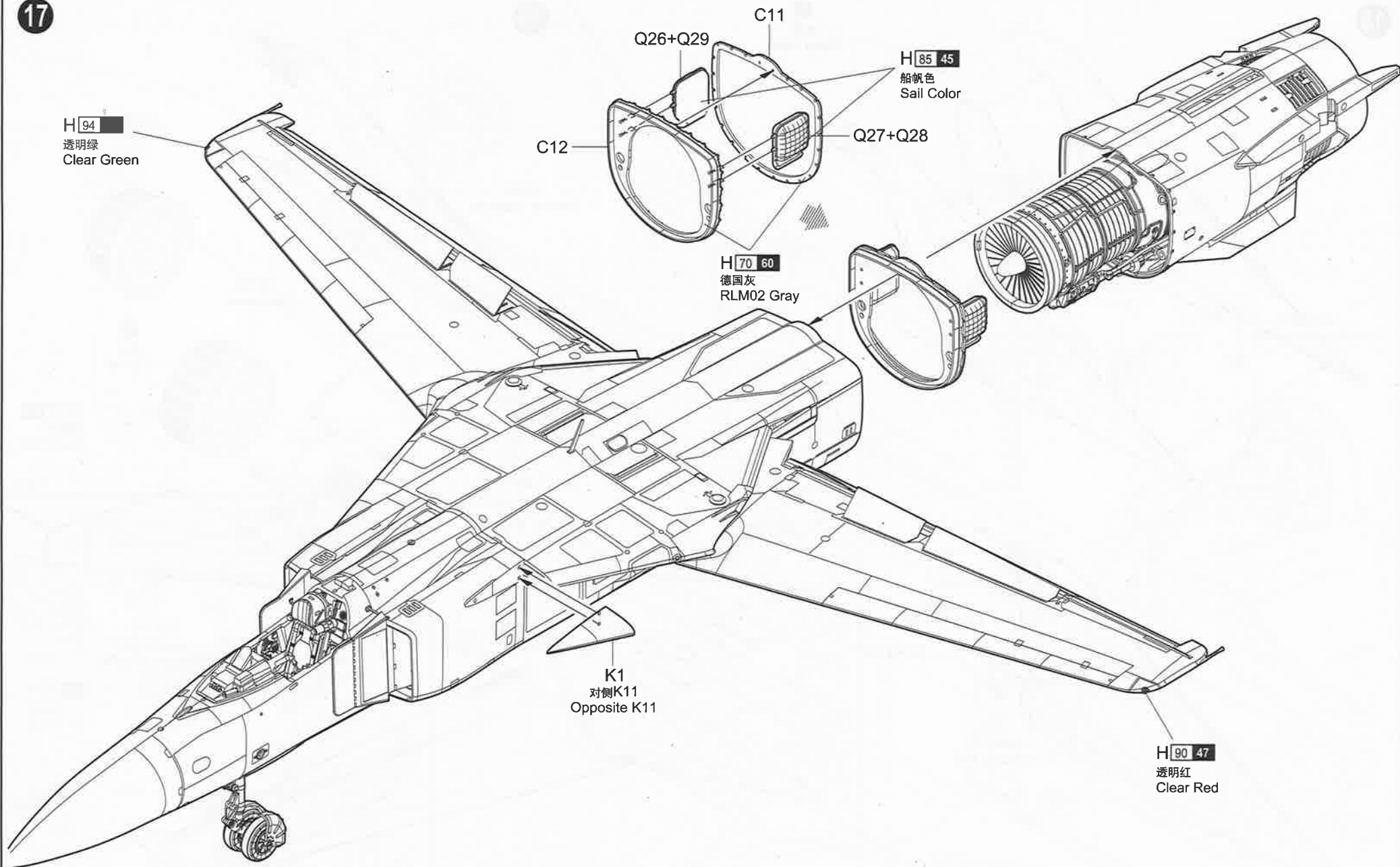


16

03210

12

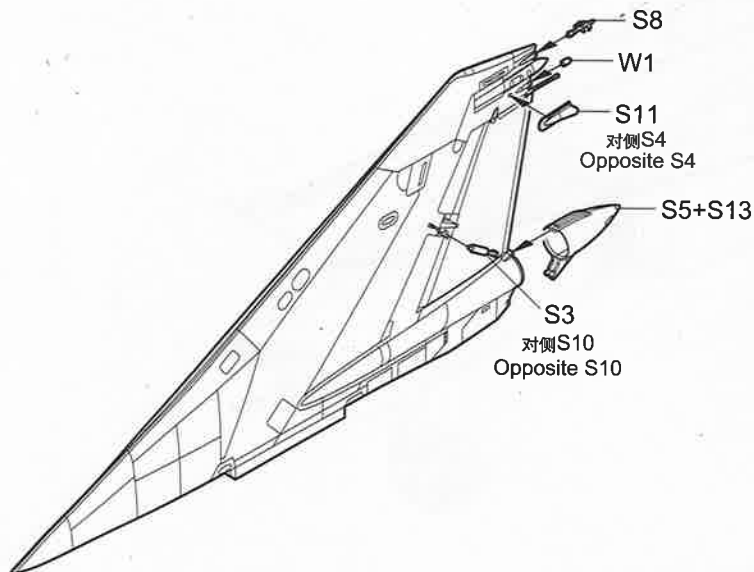
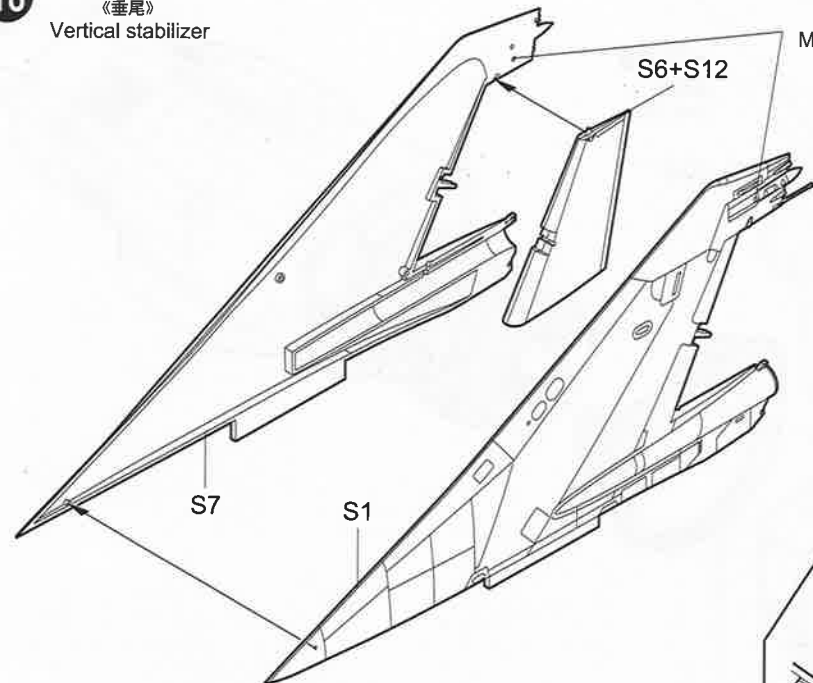
17



18

《垂尾》
Vertical stabilizer

Ⓡ
钻孔
Make holes



19

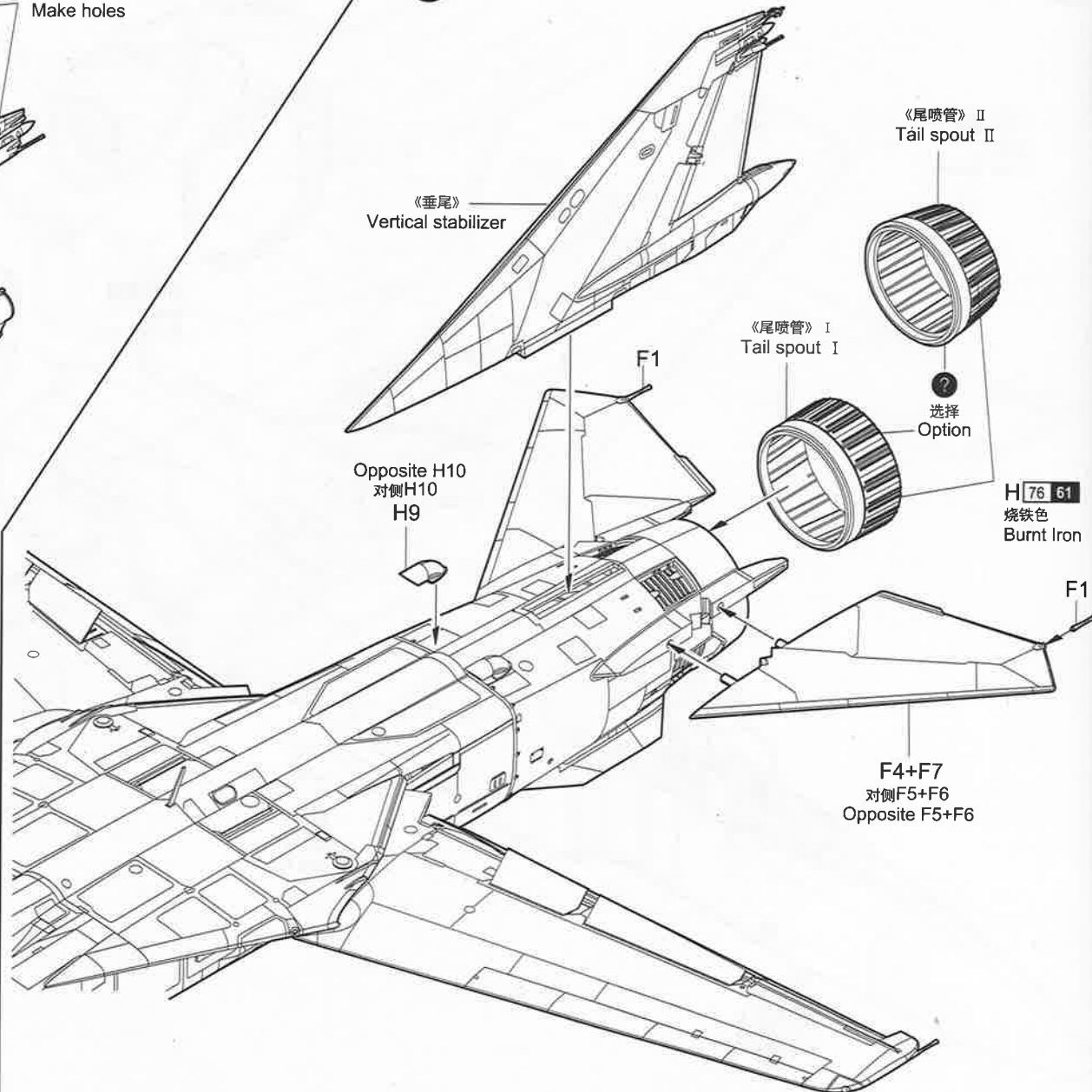
《垂尾》
Vertical stabilizer

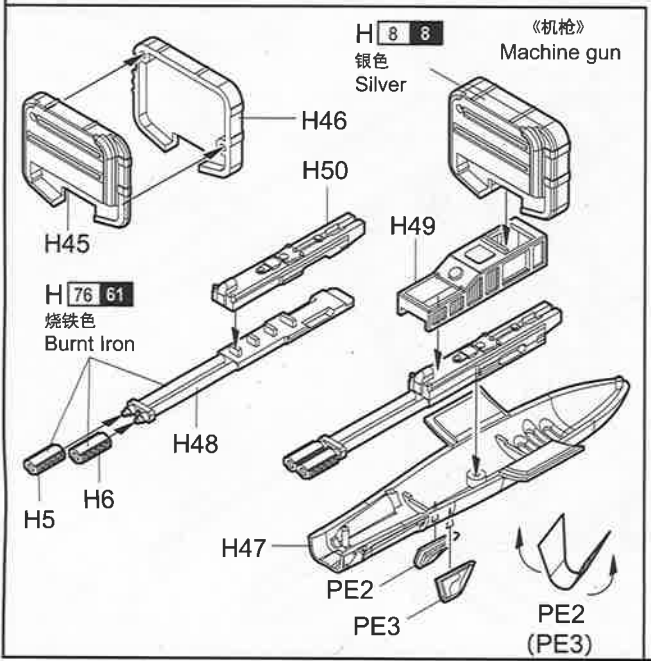
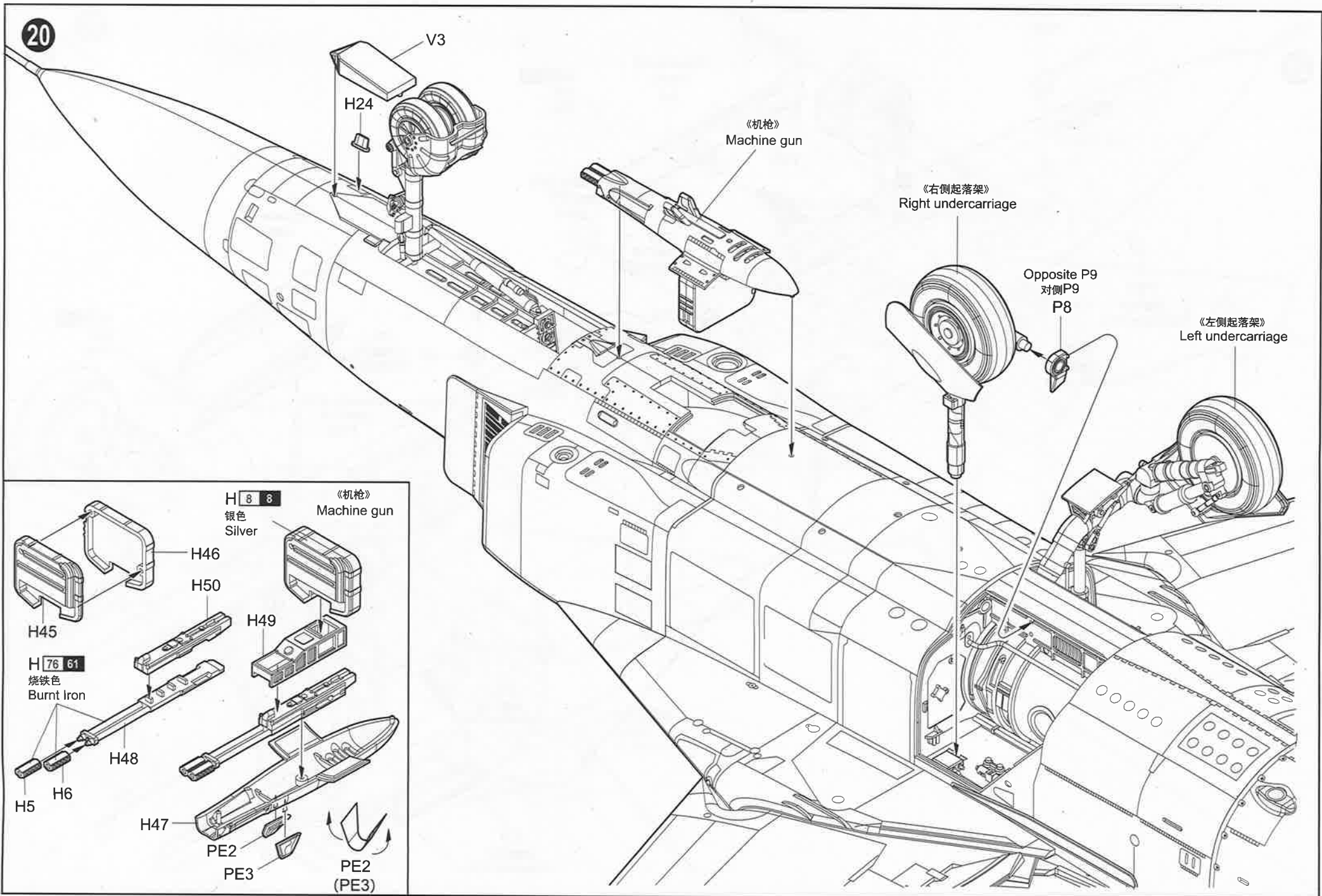
《尾喷管》II
Tail spout II

《尾喷管》I
Tail spout I

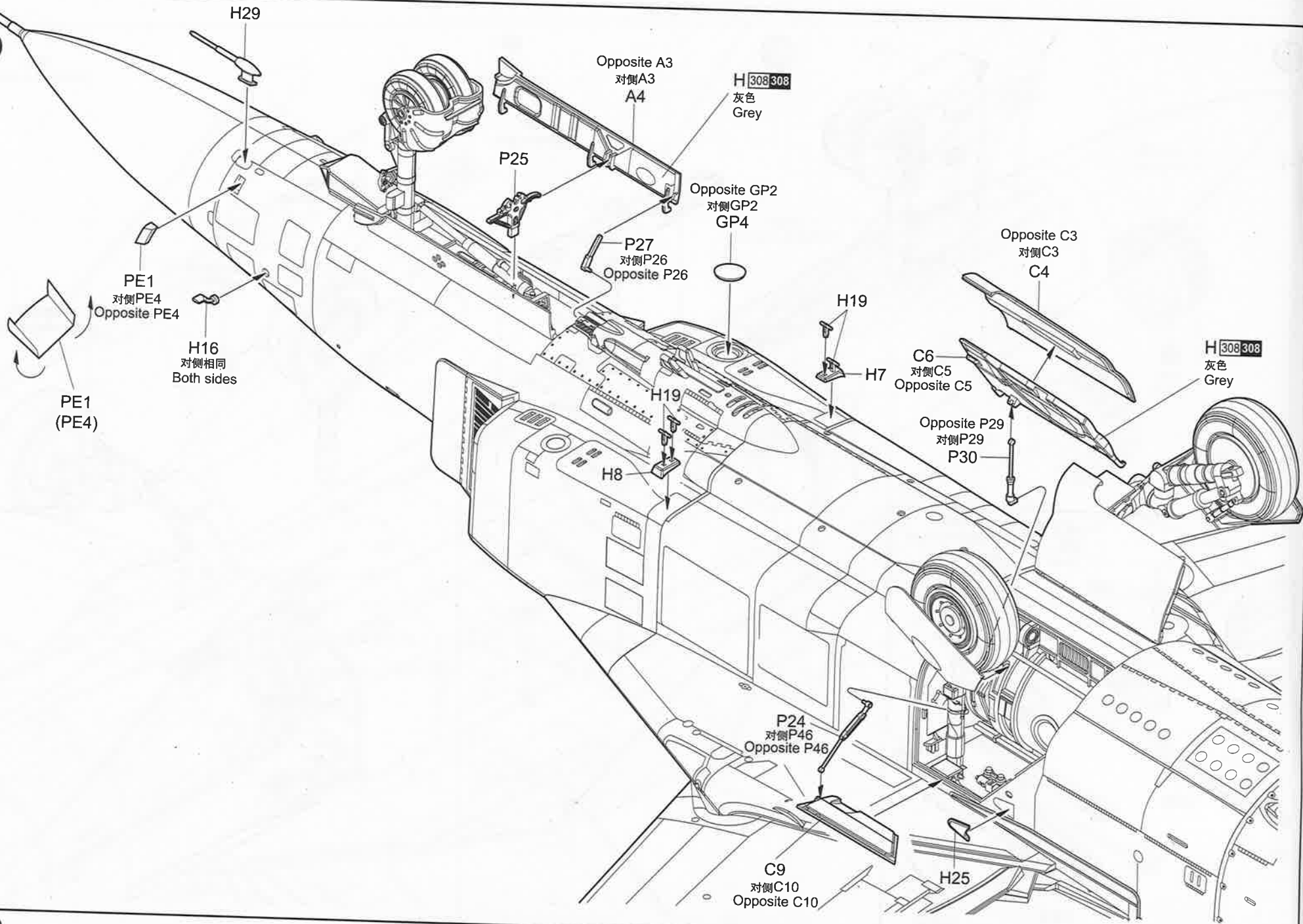
选择
Option

H 76 61
烧铁色
Burnt Iron





21

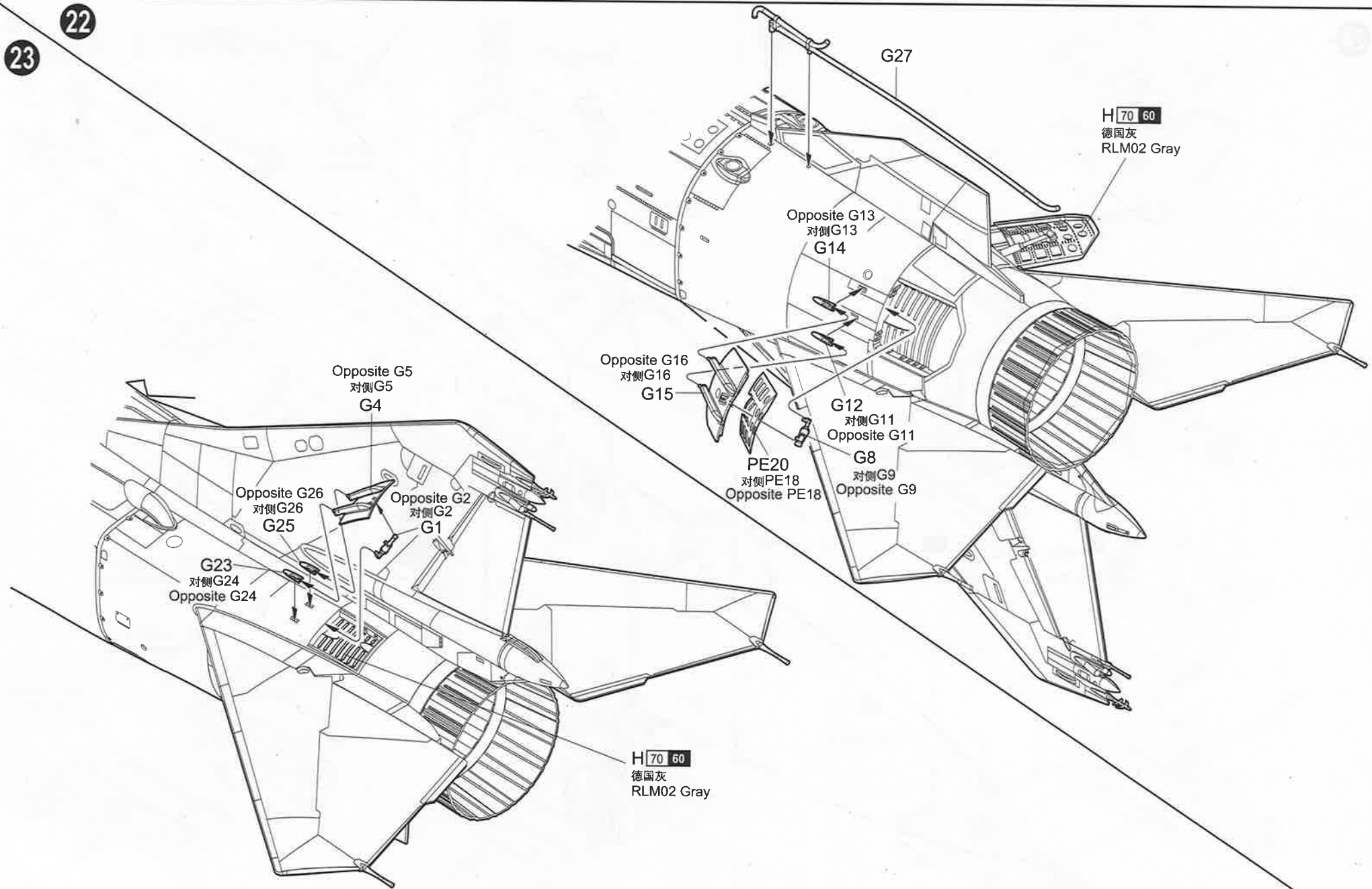


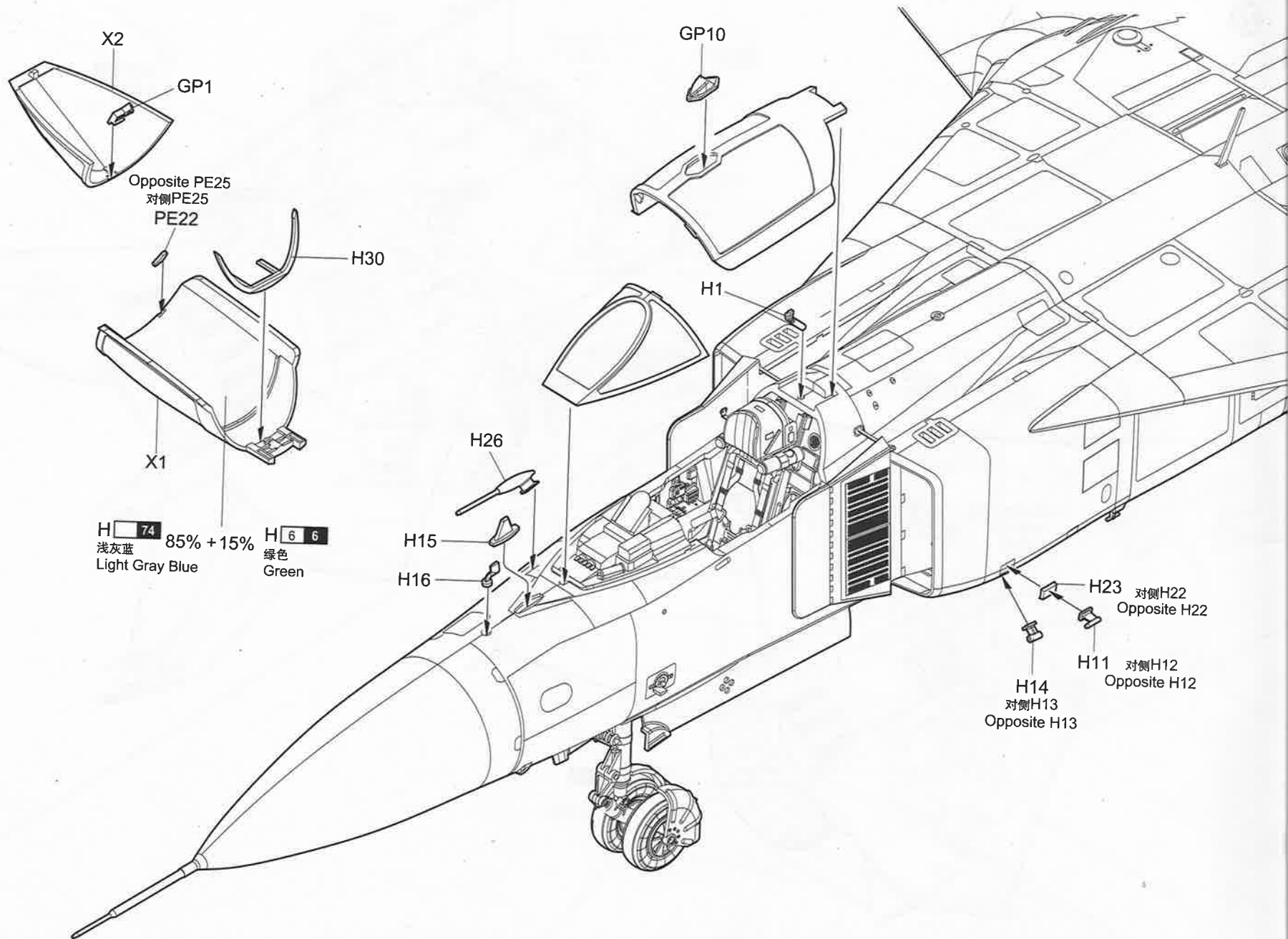
03210

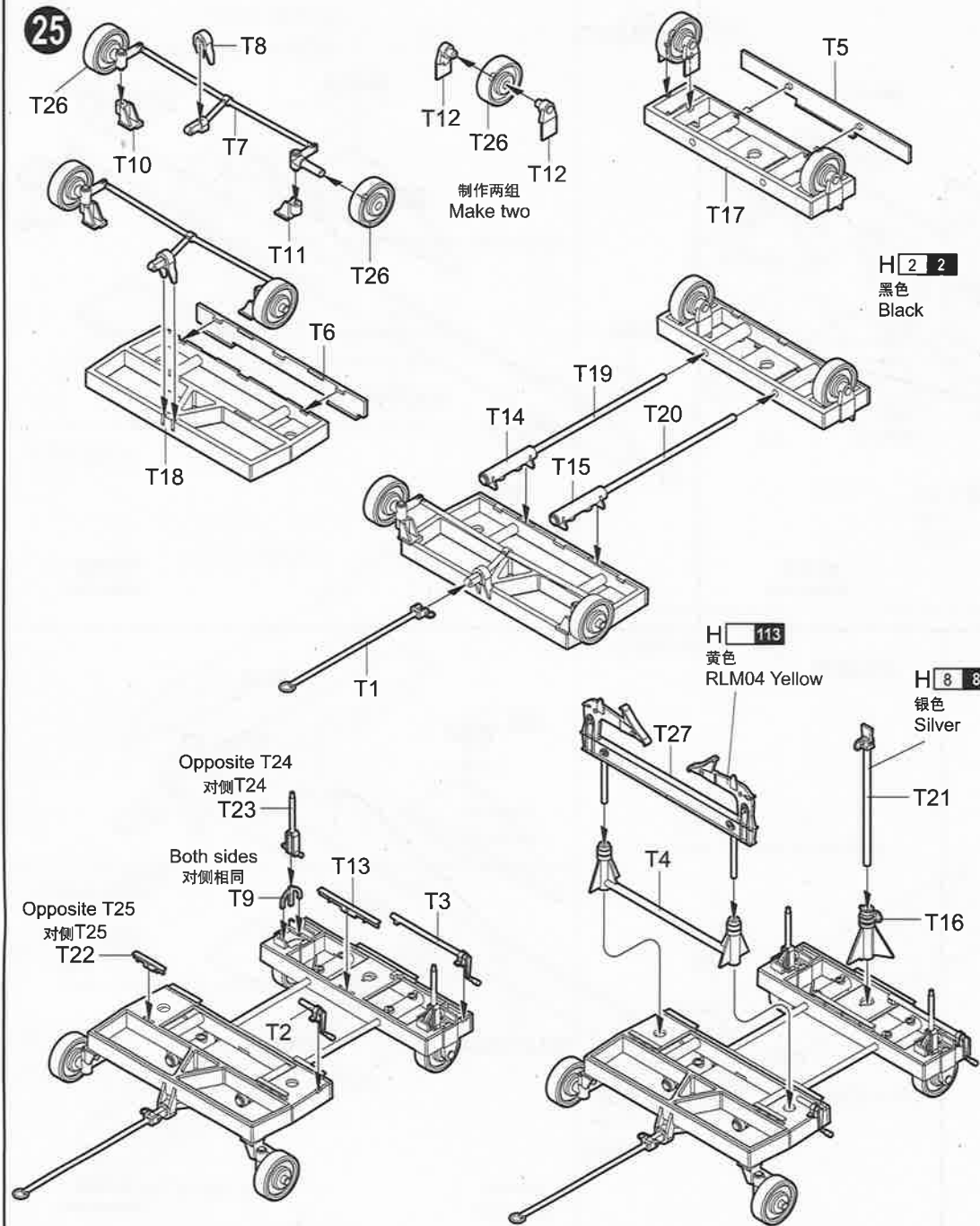
03210

22

23

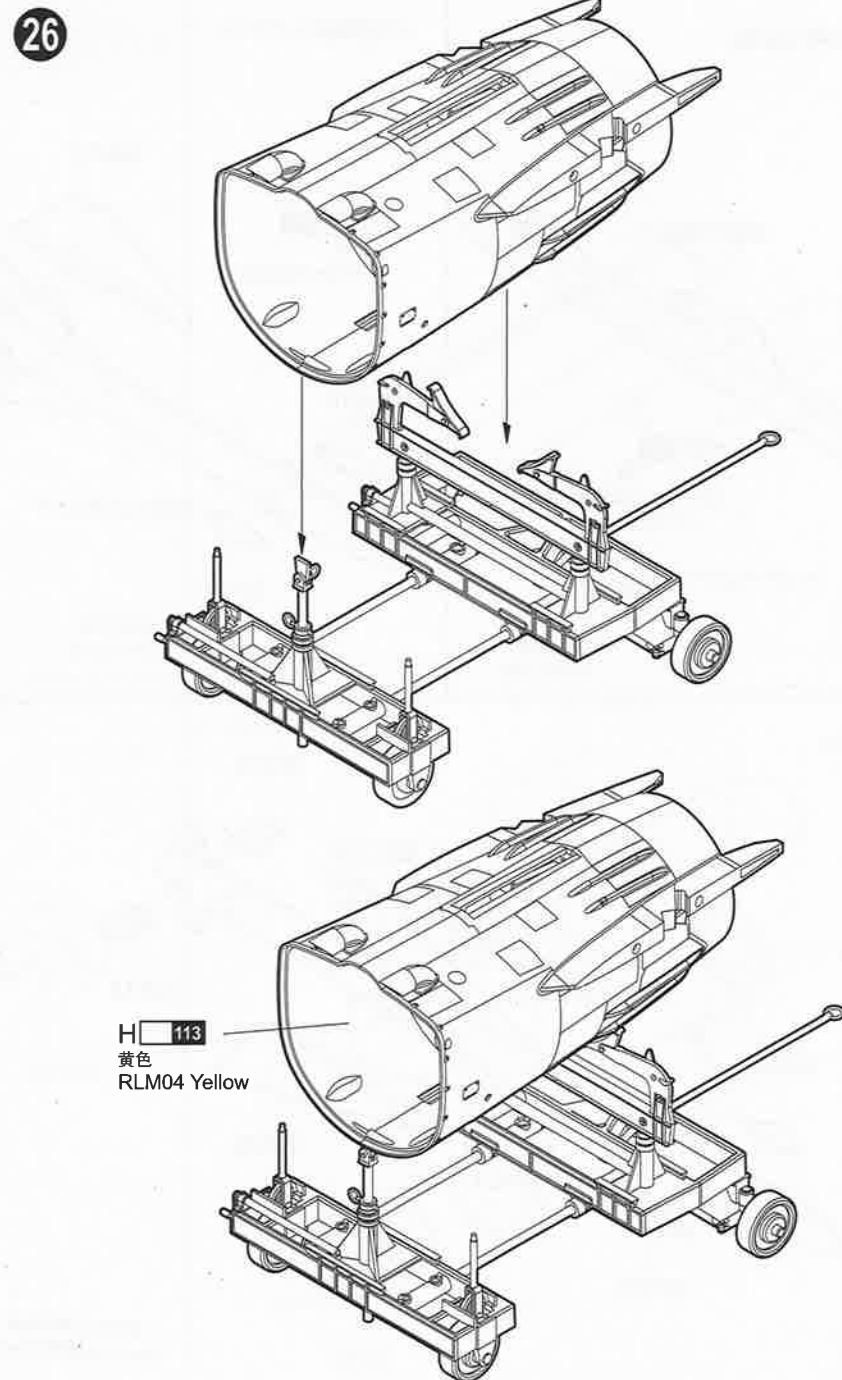






03210

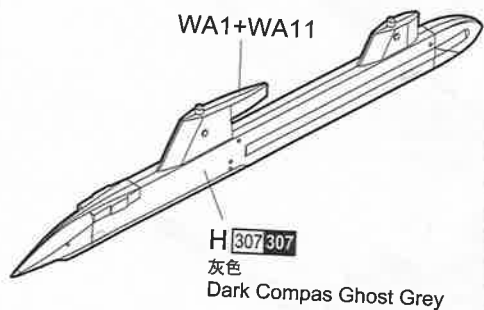
19



H 113
黄色
RLM04 Yellow

27

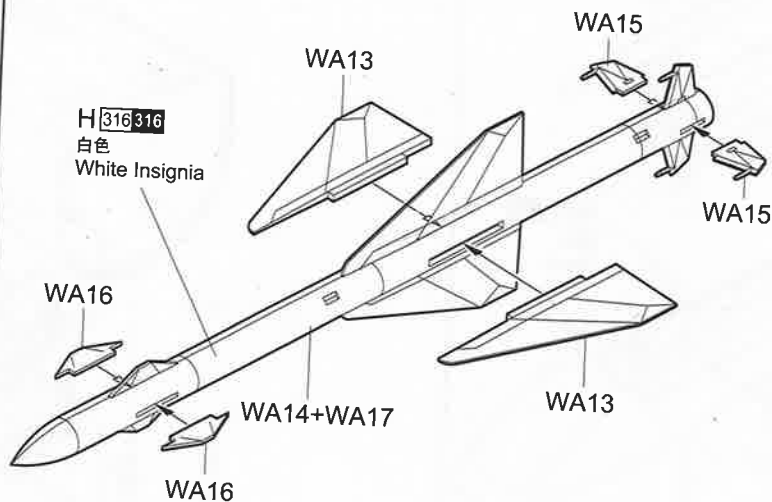
《APU-23》



用于: R-23R R-23T R-24R R-24T
Use for :

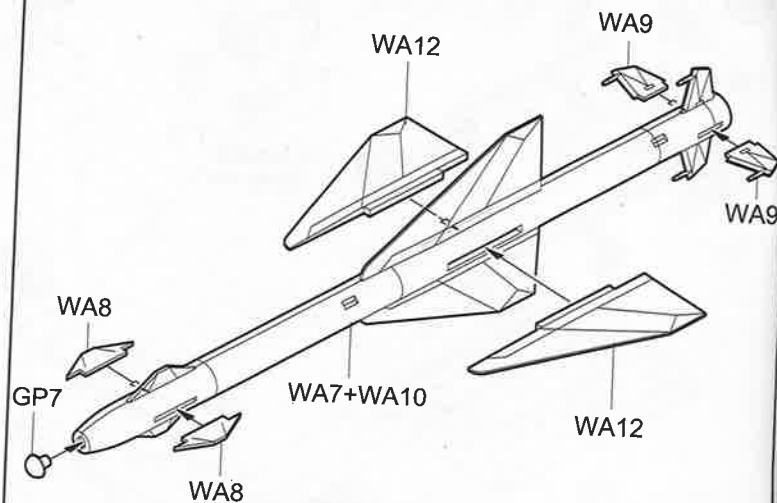
制作两组
Make two

《R-23R》



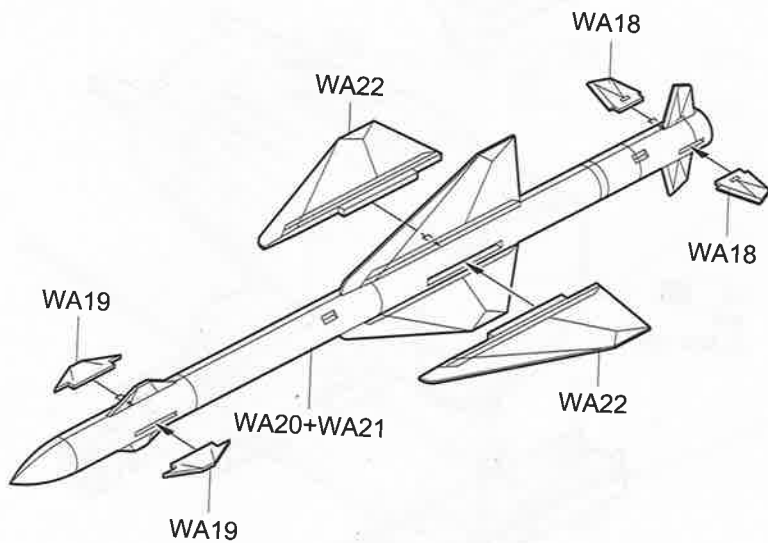
制作两组
Make two

《R-23T》



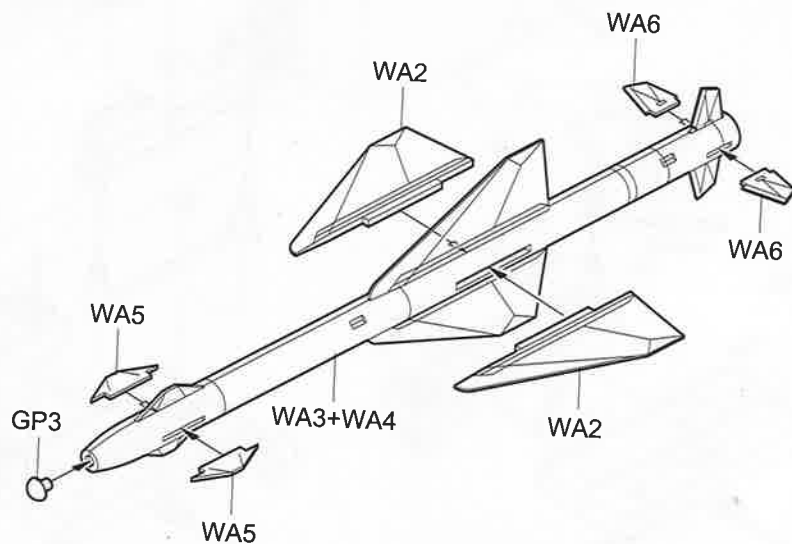
制作两组
Make two

《R-24R》



制作两组
Make two

《R-24T》



制作两组
Make two

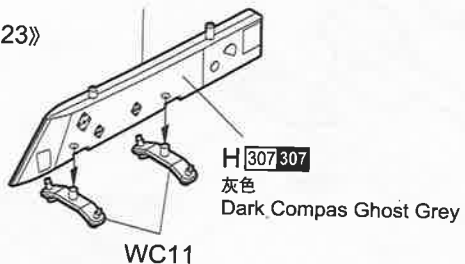
03210

03210

28

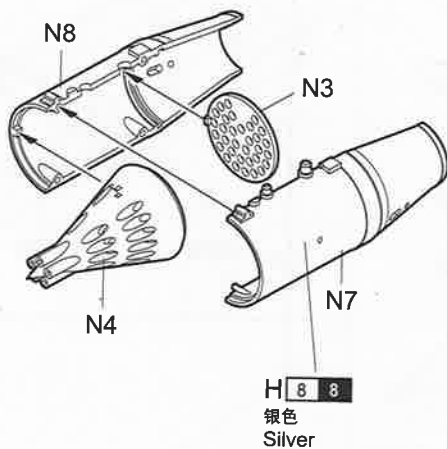
(WD4+WD16)
WD2+WD3

《BD3-60-23》



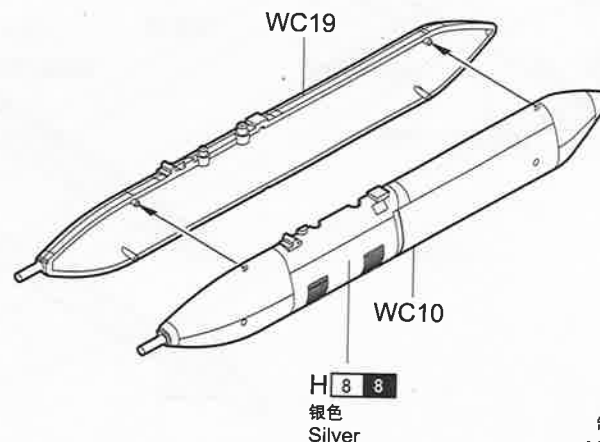
用于: UB-32M UPK-23 RB-250 RBK-250
Use for: RBK-500 B-8M1 R-13M R-13M1
R-3R S-24B KH-23M APU-60

《UB-32M》



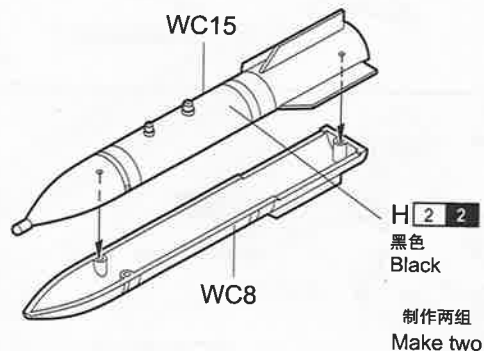
制作两组
Make two

《UPK-23/250》



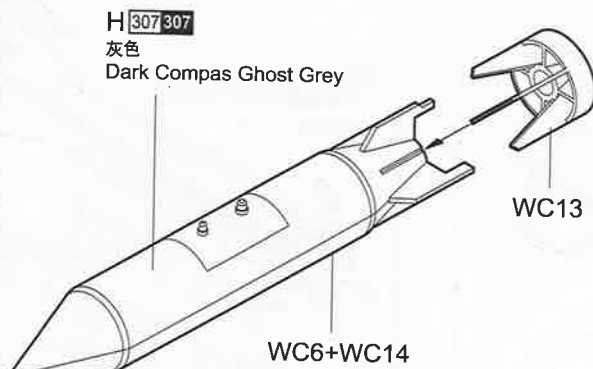
制作两组
Make two

《RB-250》



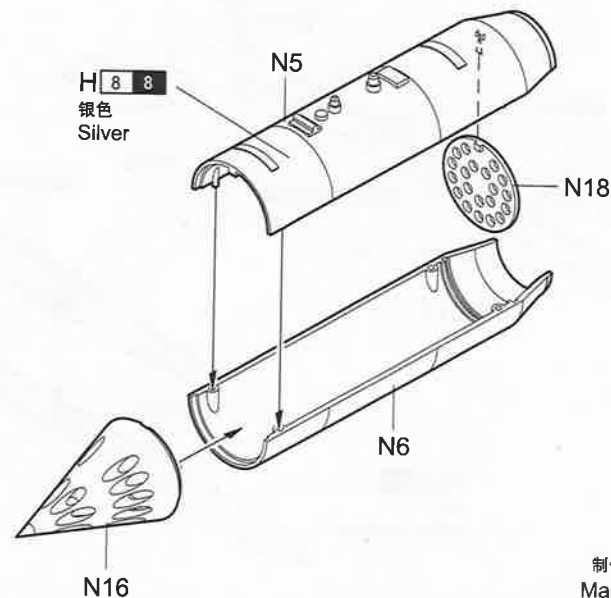
制作两组
Make two

《RBK-500》



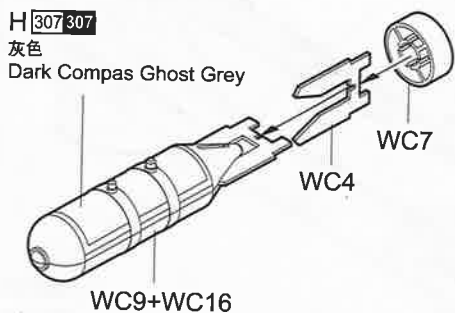
制作两组
Make two

《B-8M1》



制作两组
Make two

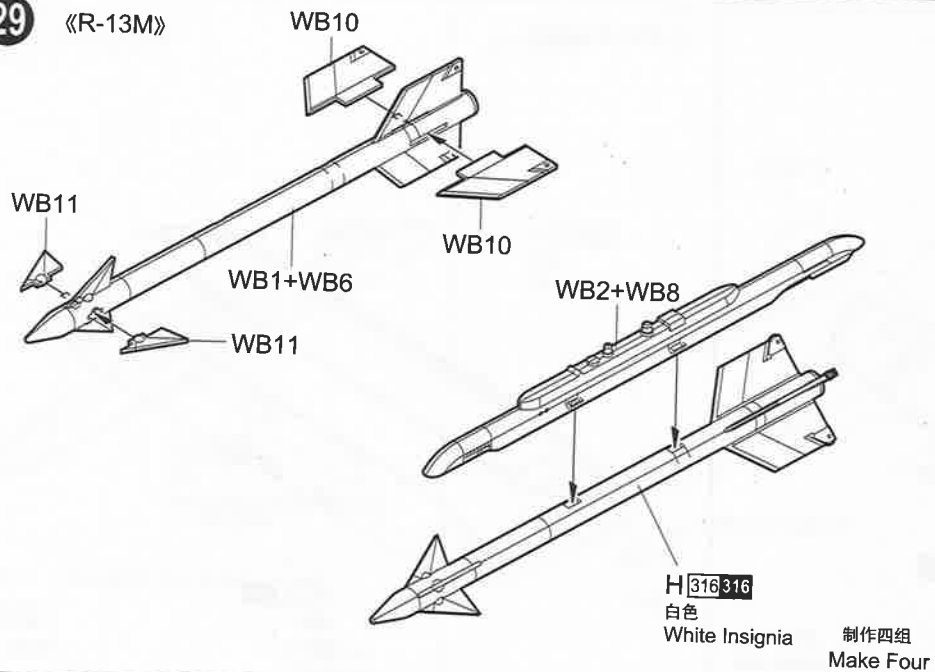
《RBK-250》



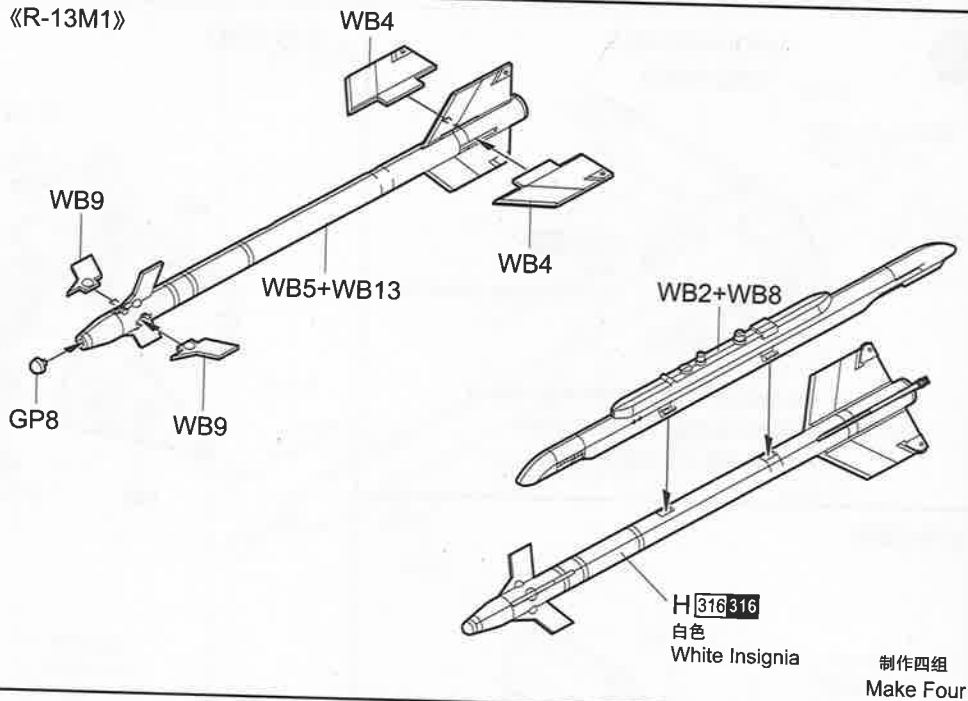
制作两组
Make two

29

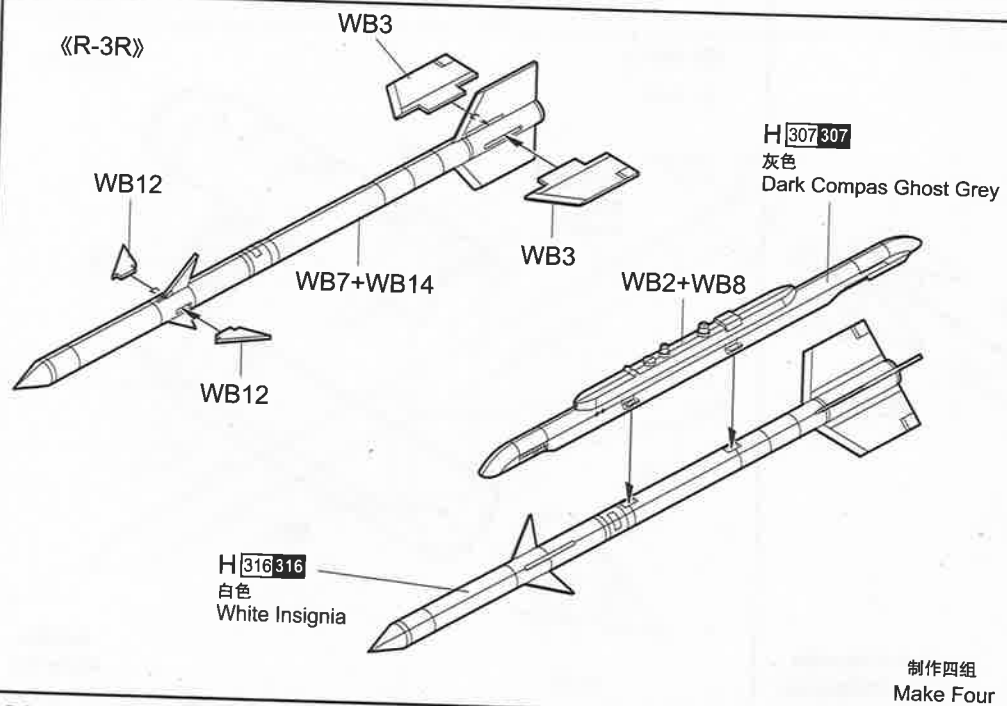
《R-13M》



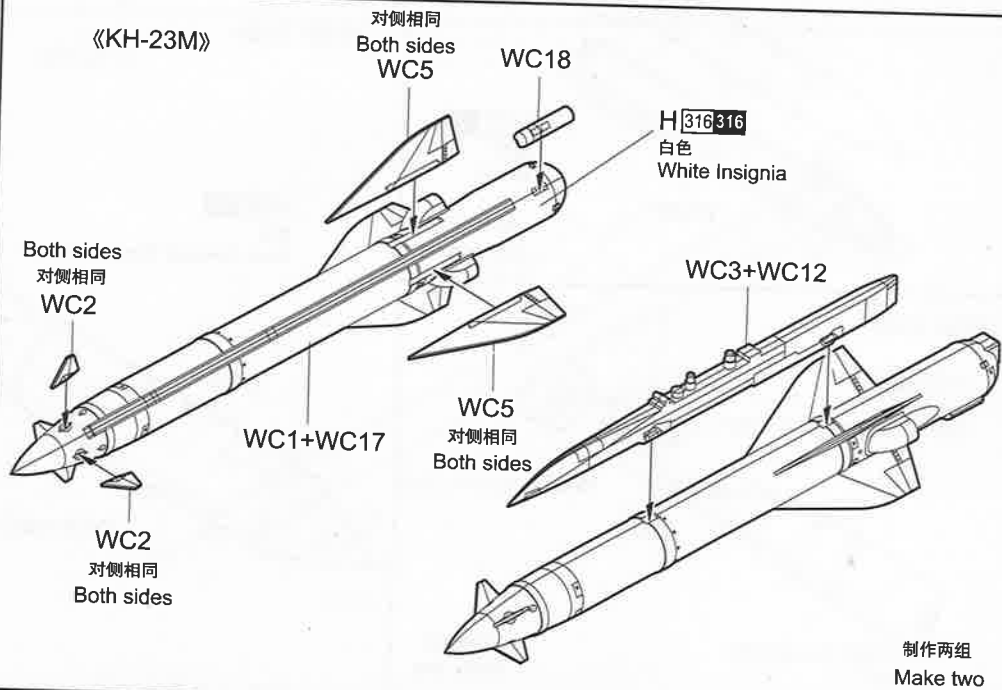
《R-13M1》



《R-3R》

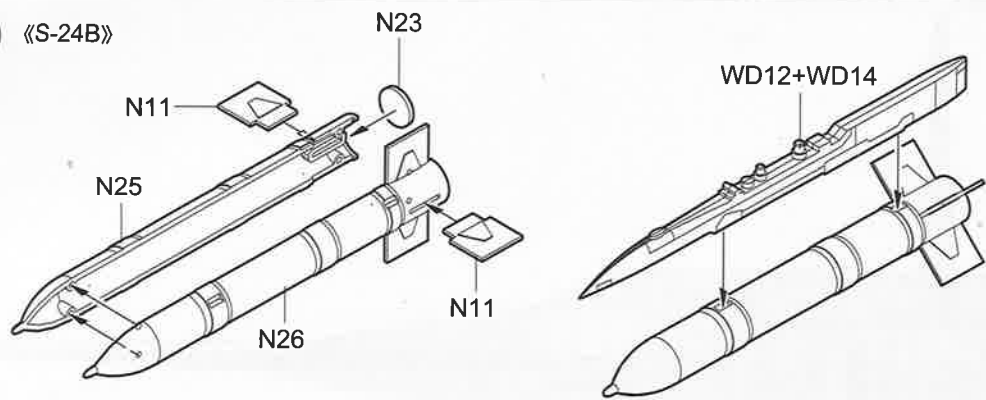


《KH-23M》



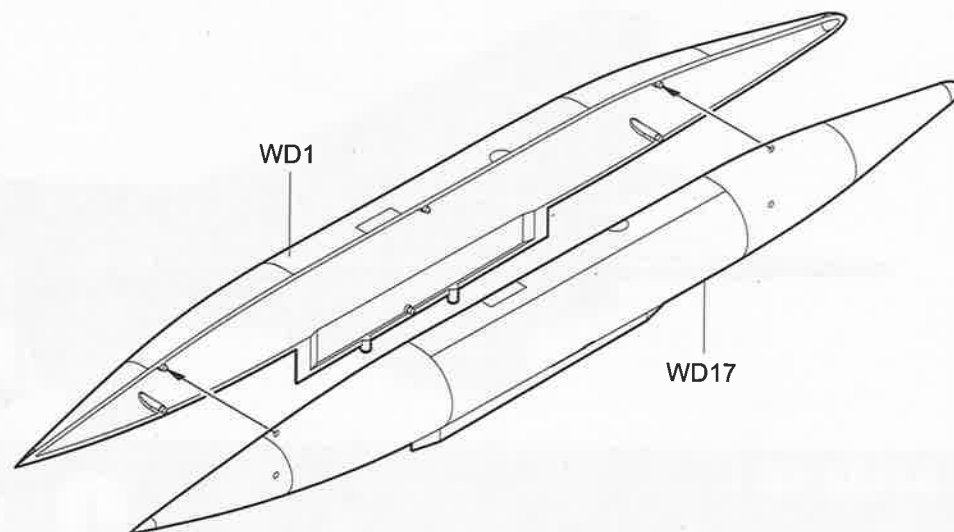
30

《S-24B》

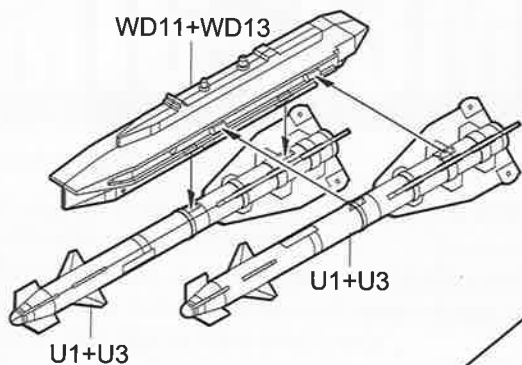


制作两组
Make two

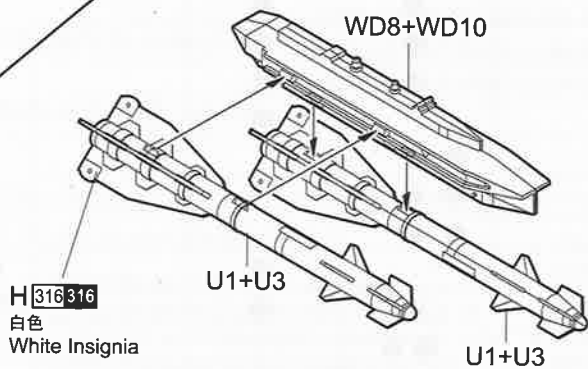
《PTB-800》



《R-60》 - Left

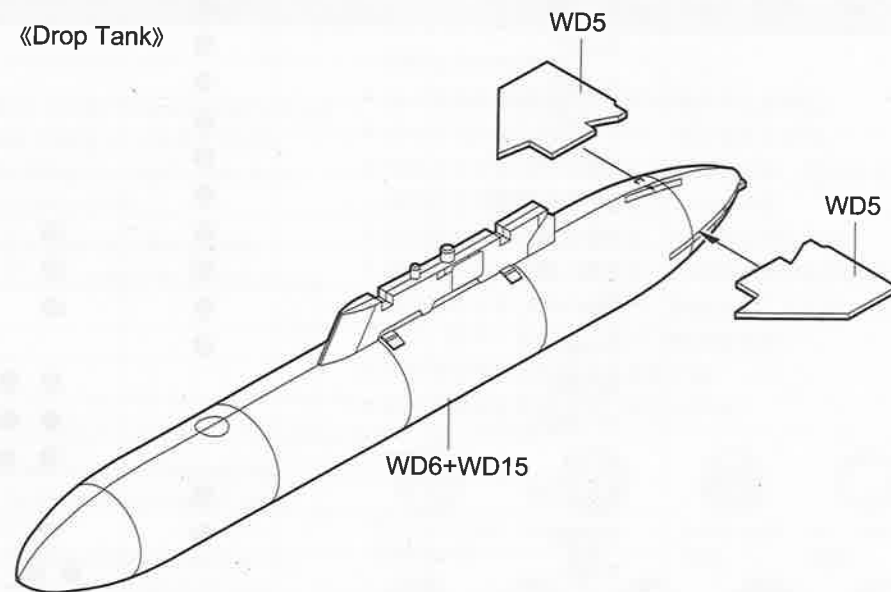


《R-60》 - right

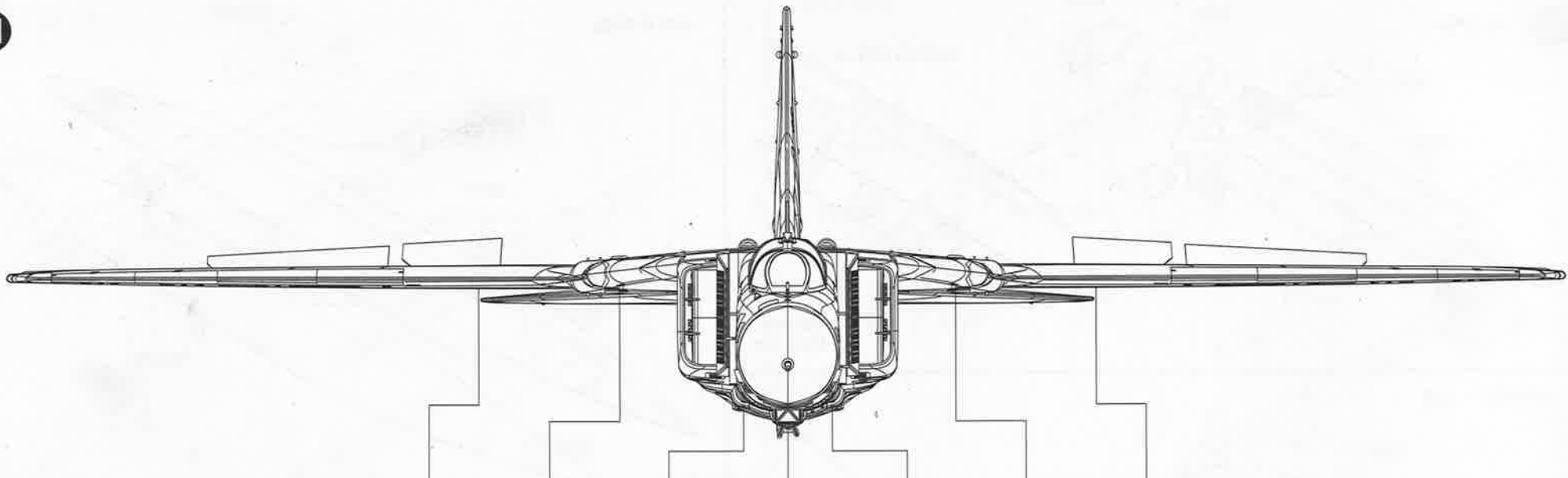


H 316 316
白色
White Insignia

《Drop Tank》



制作两组
Make two



Sta.No. / Missile/Tank	1	2	3	4	5	6	7
R-23R		●				●	
R-23T		●				●	
R-24R		●				●	
R-24T		●				●	
UB-32M		●				●	
UPK-23/250		●				●	
RB-250		●	●		●	●	
RBK-250		●	●		●	●	
RBK-500		●	●		●	●	
B-8M1		●				●	
R-13M			● ●		● ●		
R-13M1			● ●		● ●		
R-3R			● ●		● ●		
KH-23M		●				●	
S-24B		●	●		●	●	
R-60			● ●		● ●		
PTB-800				●			
Drop Tank	●						●